



**AUTOMOTIVE DIGITAL MULTIMETER
MOD. 1760DGT**

EN

**MULTIMETRE NUMERIQUE AUTOMOBILE
MOD. 1760DGT**

FRA

**MULTIMETRO DIGITALE PER AUTO
MOD. 1760DGT**

IT

**TESTER PARA USO AUTOMOVILÍSTICO
MOD. 1760DGT**

ES

**MULTIMETER FÜR KFZ-TEST
MOD. 1760DGT**

DE

AUTOMOTIVE DIGITAL MULTIMETER MOD. 1760DGT

SAFETY INFORMATION

The following safety information must be observed to insure maximum personal safety during the operation of this meter:

- Do not use the meter if the meter or test leads look damaged, or if you suspect that the meter is not operating properly.
- Never ground yourself when taking electrical measurements. Do not touch exposed metal pipes, outlets, fixtures, etc., which might be at ground potential. Keep your body isolated from ground by using dry clothing, rubber shoes, rubber mats, or any approved insulating material.
- Turn off power to the circuit under test before cutting, unsoldering, or breaking the circuit. Small amounts of current can be dangerous.
- Use caution when working above 60V DC or 30V AC rms such voltages pose a shock hazard.
- When using the probes, keep your fingers behind the finger guards on the probes.
- Measuring voltage which exceeds the limits of the multimeter may damage the meter and expose the operator to a shock hazard. Always recognize the meter voltage limits as stated on the front of the meter.
- Never apply voltage or current to the meter that exceeds the specified maximum:

Input limits	
Function	Maximum input
V DC or V AC	1000V DC, 700V AC
mA DC/AC	400mA DC/AC
A DC/AC	20 A DC/AC (30 seconds max every 15 minutes)
Frequency, resistance, capacitance, duty cycle, diode test, continuity, temperature, RPM, Dwell, pulse width	250V DC/AC

**WARNING**

SAFETY SYMBOLS

This symbol adjacent to another symbol, terminal or operating device indicates that the operator must refer to an explanation in the Operating Instructions to avoid personal injury or damage to the meter.

This **WARNING** symbol indicates a potentially hazardous situation, which if not avoided, could result in death or serious injury.

CAUTION

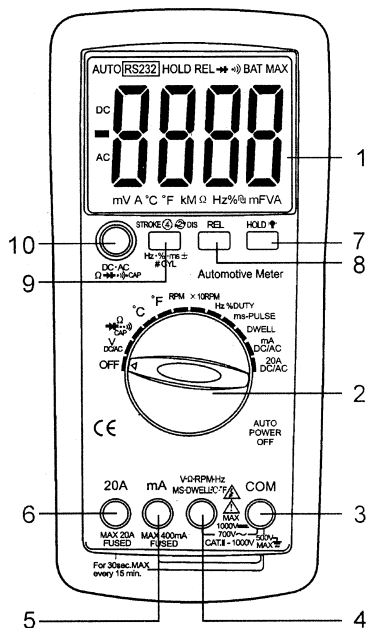
This **CAUTION** symbol indicates a potentially hazardous situation, which if not avoided, may result damage to the product.



This symbol advises the user that the terminal(s) so marked must not be connected to a circuit point at which the voltage with respect to earth ground exceeds (in this case) 500 VAC or VDC.



This symbol adjacent to one or more terminals identifies them as being associated with ranges that may, in normal use, be subjected to particularly hazardous voltages. For maximum safety, the meter and its test leads should not be handled when these terminals are energized.



CONTROLS AND JACKS

- 1 Large 4 digit Liquid Crystal Display with symbolic signs
- 2 Function switch
- 3 COM (negative) input jack
- 4 Positive (+) input jack for DC/AC Voltage, current, Hz/% duty cycle, Ohms, Diode, Continuity, Capacitance, Temperature ($^{\circ}\text{C}$ or $^{\circ}\text{F}$) measurements, RPM, DWELL, Pulse width
- 5 (positive) input jack for DC/AC mA
- 6 20A (positive) input jack for 20A DC or AC measurements
- 7 Data Hold and backlight push button
- 8 Relative push button.
- 9 RPM, DWELL, Hz/%, mS + / - button
- 10 Mode push button

Symbols and annunciators

☺	Continuity
BAT	Low Battery
▶	Diode
DATA HOLD	Data Hold
AUTO	AutoRanging
AC	Alternating Current or Voltage
DC	Direct Current or Voltage

SPECIFICATIONS

The instrument complies with:

Insulation:

IEC 1010-1 EN61010-1

Class 2, double insulation.

Overvoltage category:

CAT II 1000V.

Display:

4 digits LCD display with function indication.

Polarity:

Automatic, (-) negative polarity indication.

Overrange:

“OL” mark indication.

Low battery indication:

the “BAT” is displayed when the battery voltage drops below the operating level

Measurement rate:

2 times per second, nominal.

Auto power off:

Approx. 3.0 minutes of inactivity.

Operating environment:

0 °C ÷ 50 °C (32 °F ÷ 122 °F) at < 70 % relative humidity.

Storage temperature:

-20 °C ÷ 60 °C (-4 °F ÷ 140 °F) at < 80 % relative humidity

For inside use, max height:

2000 m

Pollution degree:

2

Power:

One 9V battery , NEDA 1604, IEC 6F22

Dimensions:

195 (H) x 92 (W) x 38 (D) mm

Weight:

Approx.: 380 g

RPM (TACH)			
Range		Resolution	Accuracy
RPM4	600-4000RPM	1RPM	±2% of rdg ± 4dgt
	600-12000RPM (10Xrpm)		
	10RPM		
RPM2/DIS	300-4000RPM	1RPM	
	300-6000RPM (10Xrpm)		
	10RPM		

Overload protection: 250V DC or AC rms

Dewll angle			
Cylinder	Range	Resolution	Accuracy
4CYL	0 – 90.0°	0.1°	±2% of rdg ± 4dgt
5CYL	0 – 72.0°		
6CYL	0 – 60.0°		
8CYL	0 – 45.0°		

Overload protection: 250V DC or AC rms

DC Voltage (automatic range)		
Range	Resolution	Accuracy
400.0 mV	0.1mV	±0.5% of rdg ±2dgt
4.000 V	1mV	
40.00 V	10mV	±1.5% of rdg ±2dgt
400.0 V	100mV	
1000 V	1V	±1.8% of rdg ±2dgt

Input impedance: 10M Ω

Maximum input: 1000V DC or 760V AC rms

AC Voltage (automatic range)		
Range	Resolution	Accuracy
4.000 V	1mV	±1.0% of rdg ±3dgt
40.00 V	10mV	±1.5% of rdg ±3dgt
400.0 V	100mV	
700 V	1V	±2.0% of rdg ±4dgt

Input impedance: 10M Ω

Frequency range: 50/60Hz

Maximum input: 1000V DC or 700V AC rms

DC Current (automatic range)		
Range	Resolution	Accuracy
40.00mA	10 μ A	±1.5% of rdg ±3dgt
400.0mA	100 μ A	
4 A	1mA	±2.5% of rdg ±5dgt
20 A	10mA	

Overload Protection: 0.5 A/250V and 20 A/250V Fuse.

Maximum input: 400mA DC or 400mA AC rms mA, 20 A DC ranger or AC rms 20 A range

AC Current (automatic range)		
Range	Resolution	Accuracy
40.00mA	10 μ A	±1.8% of rdg ±5dgt
400.0mA	100 μ A	
4 A	1mA	±3.0% of rdg ±7dgt
20 A	10mA	

Overload Protection: 0.5 A/250V and 20 A/250V Fuse.

Frequency range: 50/60Hz.

Maximum Input: 400mA DC or 400mA AC rms on mA ranges, 20 A DC range or AC rms 20A range.

Resistance (automatic range)		
Range	Resolution	Accuracy
400.0 Ω	0.1 Ω	$\pm 1.2\%$ of rdg ± 4 dgt
4.000 K Ω	1 Ω	$\pm 1.0\%$ of rdg ± 2 dgt
40.00 K Ω	10 Ω	$\pm 1.2\%$ of rdg ± 2 dgt
400.0 K Ω	100 Ω	
4.000 M Ω	1k Ω	
40.00 M Ω	10k Ω	$\pm 2.0\%$ of rdg ± 3 dgt

Input protection: 250V DC or 250V AC rms

Capacitance (automatic range)		
Range	Resolution	Accuracy
40.00 nF	10pF	$\pm 5.0\%$ of rdg ± 7 dgt
400.0 nF	0.1nF	$\pm 3.0\%$ of rdg ± 5 dgt
4.000 μ F	1nF	
40.00 μ F	10nF	
100.0 μ F	0.1 μ F	$\pm 5.0\%$ of rdg ± 5 dgt

Input protection: 250V DC or 250V AC rms

Frequency (automatic range)		
Range	Resolution	Accuracy
5 Hz	0.001Hz	±1.5% of rdg ±5dgt
50 Hz	0.01Hz	
500 Hz	0.1Hz	±1.2% of rdg ±3dgt
5 KHz	1 Hz	
50 KHz	10 Hz	
500KHz	100Hz	
10 MHz	1KHz	±1.5% of rdg ±4dgt

Sensitivity: $<0.5V\ RMS \leq 1MHz$

Sensitivity: $>3V\ RMS < 1\ MHz$

Overload protection: 250V DC or AC rms

Duty Cycle		
Range	Resolution	Accuracy
0.1%-99.9%	0.1Hz	±1.2% of rdg ±2dgt

Pulse width: $>100\mu s, <100ms$

Frequency width: 5Hz-150Hz

Sensitivity: $<0.5V\ RMS$

Overload protection: 250V DC or AC rms

Pulse Width		
Range	Resolution	Accuracy
1.0 - 10.0ms	0.1ms	±3% of rdg ±10dgt

Overload protection: 250V DC or AC rms

Temperature		
Range	Resolution	Accuracy
-20°C to +760°C	1°C	± (3% of rdg ± °C/8 °F) meter only, probe accuracy not included
-4°F to +1400°F	1°F	

Sensor: type K thermocouple

Diode Test		
Test current	Resolution	Accuracy
0.3mA typical	1mV	±10% of rdg ± 5 dgt

Open circuit voltage: 1,5V DC typical

Overload protection: 250V DC or AC rms

Audible continuity

Audible threshold: less than 150Ω, test current <0.3mA

Overload protection: 250V DC or AC rms.

OPERATION

Warning: Risk of electrocution. High-voltage circuits, both AC and DC, are very dangerous and should be measured with great care.

- 1 **Always** turn the function switch to the OFF position when the meter is not in use. This meter has Auto OFF that automatically shuts the meter OFF if 30 minutes elapse between uses.
- 2 If “OL” appears in the display during a measurement, the value exceeds the range you have selected. Change to a higher range.

Note: On some low AC and DC voltage ranges, with the test leads not connected to a device, the display may show a random, changing reading. This is normal and is caused by the high-input sensitivity. The reading will stabilize and give a proper measurement when connected to a circuit.

Mode button

To select DC/AC Voltage, DC/AC current, resistance, diode, continuity and capacitance check. STROKE 4/2(DIS) Hz.% ms CYL BUTTON. To select STROKE 4/2(DIS) Hz.% ms CYL range

Data hold / Backlight button

The Data Hold function allows the meter to “freeze” a measurement for later reference.

- 1 Press the DATA HOLD button to “freeze” the reading on the indicator. The indicator “HOLD” will be appear in the display
- 2 Press the DATA HOLD button to return to normal operation.
- 3 If press the BACKLIGHT button 2 seconds, the display lights on
- 4 Press BACKLIGHT button 2 seconds again to exit the light mode.

Relative button

The relative measurement feature allows you to make measurements relative to a stored reference value. A reference voltage, current, etc. can be stored and measurements made in comparison to that value. The displayed value is the difference between the reference value and the measured value.

- 1 Perform any measurement as described in the operating instructions.
- 2 Press the RELATIVE button to store the reading in the display and the “REL” indicator will appear on the display
- 3 The display will now indicate the difference between the stored value and the measured value.
- 4 Press the RELATIVE button to return to normal operation.

AC or DC Voltage Measurements

- 1 Insert the black test lead banana plug into the negative COM jack and the red test lead banana plug into the positive V jack.
- 2 Turn the rotary switch to the VDC/AC position.
- 3 Press the MODE button to select AC or DC Voltage
- 4 Touch the test probes to the circuit under test and read the voltage on the display.

AC or DC Current Measurements






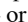
Caution: Do not make current measurements on the 20A scale for longer than 30 seconds every 15 minutes. Exceeding 30 seconds may cause damage to the meter and/or the test leads.

- 1 Insert the black test lead banana plug into the negative COM jack and the red test lead banana plug into the:

- a Positive mA jack for currents to 400mA
- b Positive 20A jack for currents to 20A
- 2 Turn the rotary switch to the mA or A position.
- 3 Press the MODE button to select AC or DC current
- 4 Touch the test probes in series with the circuit under test and read the current on the display.

Resistance or Diode or Continuity or Capacitance Measurements

Warning: to avoid electric shock, disconnect power to the unit under test and discharge all capacitors before taking any resistance or capacitance measurements.

- 1 Insert the black test lead banana plug into the negative COM jack and the red test lead banana plug into the positive Ω   CAP Jack
- 2 Turn the rotary switch to the Ω   CAP position
- 3 Press the MODE button to select Ω or  or  or CAP
- 4 Connect the test probes to the two ends of the Resistance, Diode, Continuity and Capacitance or circuit to be measured.
- 5 Read the measured value from the LCD display
- 6 When on the continuity range, a beeping sound shall be heard if the resistance is lower than 150 Ω .
- 7 When measuring the forward voltage across diode a normal diode will indicate 0.4V or 0.7V and the reverse voltage will indicate “OL” (same as on open condition). For a short-circuited diode, a value 0 mV will be display.
When checking in-circuit capacitance, be sure that the circuit has all power removed and all capacitor are fully discharged. The range control mode in capacitance measurement is auto-ranging.

Frequency or Duty Cycle Measurements

- 1 Insert the black test lead banana plug into the negative COM jack and the red test lead banana plug into the positive HZ jack.
- 2 Turn the rotary switch to the Hz % duty position.
- 3 Press the Hz/% button to select “Hz” or”%”.
- 4 Touch the test probes to the circuit or under test and read the frequency or duty cycle on the display.

Temperature Measurements

- 1 Insert the type K thermocouple probe black test lead banana plug into the negative COM jack and the red test lead banana plug into the positive + jack.
- 2 Turn the rotary switch to the select °C or °F.
- 3 Read the temperature on the display

Pulse Width Measurements

- 1 Insert the black test lead banana plug into the negative COM jack and the red test lead banana plug into the positive + jack.
- 2 Turn the rotary switch to the Pulse Width position.
- 3 Connect the black test probe to ground and connect the red test probe to the signal wire that connects to the component to be measured.

Note : the applied time for most fuel injectors is displayed on the negative (-) slope

RPM (TACH) Measurements

- 1 Select the RPM range with the rotary switch

- 2 Select the X10 RPM range with rotary switch (1.000 to 12,000 RPM). Multiply the displayed reading times by ten to get actual RPM
- 3 Press STROKE 4/2 (DIS) button toward select through RPM 4 for 4-stroke. RPM 2 for 2-stroke and DIS
- 4 Insert the inductive pickup connecting terminal into the meter
- 5 Ground lead in COM terminal.
- 6 Output lead in RPM terminal.
- 7 Connect the inductive pickup to a spark plug wire if no reading is received unhook the clamp, turn it over and connect again.

Note:

- Position the inductive pick-up as far away from the distributor and the exhaust manifold as possible.
- Position the inductive pick-up to within six inches of the spark plug or move it to another plug wire if no reading or an erratic reading is received
- RPM4: For RPM of 4-stroke engines which have 1 ignition on every 4 engine strokes
- RPM2: For RPM of DIS (Distributorless Ignition System) & 2-stroke engines which have 1 ignition on every 2 engine strokes

Dwell angle measurement

- 1 Insert the black test lead banana plug into the negative COM jack and the red test lead banana plug into the positive + jack.
- 2 Turn the rotary switch to the corresponding position of 4CYL, 5CYL, 6CYL, 8CYL on the “DWELL” range.
- 3 Connect red test probe into “breaker points” or “-”terminal of battery.
- 4 Crank engine. The display will show RPM reading.

REPLACING THE BATTERY

Warning: To avoid electric shock, disconnect the test leads from any source of voltage before removing the battery door.

- 1 When the batteries become exhausted or drop below a the operating voltage, “BAT” will appear in the right-hand I side of the LCD display. The battery should be replaced.
- 2 Follow instructions for installing battery. See the Battery Installation section of this manual.
- 3 Dispose of the old battery properly.

Warning: To avoid electric shock, do not operate your meter until the battery door is in place and fastened securely.

Battery installation

Warning: to avoid electric shock, disconnect the test leads from any source of voltage before removing the battery door.

- 1 Disconnect the test leads from the meter.
- 2 Open the battery door by loosening the screw using a Phillips head screwdriver.
- 3 Insert the battery into battery holder, observing the correct polarity.
- 4 Put the battery door back in place. Secure with the two screws.

Warning: to avoid electric shock, do not operate the meter until the battery door is in place and fastened securely.

Note: if your meter does not work properly, check the fuses and battery to make sure that they are still good and that they are properly inserted.

REPLACING THE FUSES

Warning: To avoid electric shock, disconnect the test leads from any source of voltage before removing the fuse door.

- 1 Disconnect the test leads from the meter and any item under test.
- 2 Open the fuse door by loosening the screw on the door using a Phillips head screwdriver.
- 3 Remove the old fuse from its holder by gently pulling it out
- 4 Install the new fuse into the holder.
- 5 Always use a fuse of the proper size and value (0.5A/250V fast blow for the 400mA range, 20A/250V fast blow for the 20A range).
- 6 Put the fuse door back in place. Insert the screw and tighten it securely.

Warning: To avoid electric shock, do not operate your meter until the fuse door is in place and fastened securely.

Declaration of conformity (CE)

The product 1760DGT is in conformity with EMC directive 89/336/CEE emanated from the Commission of the European Community.

INFORMATIONES INHERENTES LA SURETE

Lorsque on emploie cet instrument, pour assurer la meilleure sûreté de fonctionnement, on doit respecter toutes les mesures indiquées ci-dessous.

- Ne pas utiliser l'instrument si les cosses de mesure fussent endommagées, ou si l'on soupçonât que l'instrument fonctionne de façon anormale.
- Pendant la phase de mesure ne brancher pas le corps à la mise à la terre. Ne toucher pas parties exposées, connecteurs, etc., qui pourraient être au potentiel de la terre. Tenir son propre corps isolé de la terre avec un tapis isolant, chaussures isolantes, gants isolants ou matériels indiqués pour l'isolement.
- Avant de dessouder, couper ou interrompre une partie du circuit à essayer, enlever complètement l'alimentation au circuit.
- Faire beaucoup d'attention lorsque travaillez avec tensions supérieures aux 60V DC ou 30 V AC RMS puisque il y a le dommage de choc électrique.
- Lorsque on utilise les cosses, faire attention à ne toucher pas leur parties métalliques.
- N'utiliser pas l'instrument au dehors de son limites de mesure, puisque il y a le risque de choc électrique pour l'opérateur. Avant d'utiliser l'instrument lire, sur la partie frontale, les limites de mesure.
- N'appliquer pas à l'instrument, tensions ou courants supérieures aux limites spécifiés ci dessous.

Limites d'entrée	
Fonction	Entrée maximum
V DC o V AC	1000V DC, 700V AC
mA DC/AC	400mA DC/AC
A DC/AC	20 A DC/AC (30 seconds max pour 15 minutes)
Fréquence resingle, capacité, Duty Cycle, éprouve diodes, éprouve de continuité, température, compte tours RPM, Dwell, amplitude pulsations.	250V DC/AC

FRA

**WARNING**

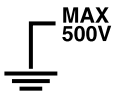
SYMBOLES DE SURETE

Ce symbole placé à côté d'une borne, invite l'opérateur se référer au manuel d'utilisation pour des informations importantes.

Ce symbole indique une situation de possible danger qui pourrait être nuisible pour l'opérateur.

CAUTION

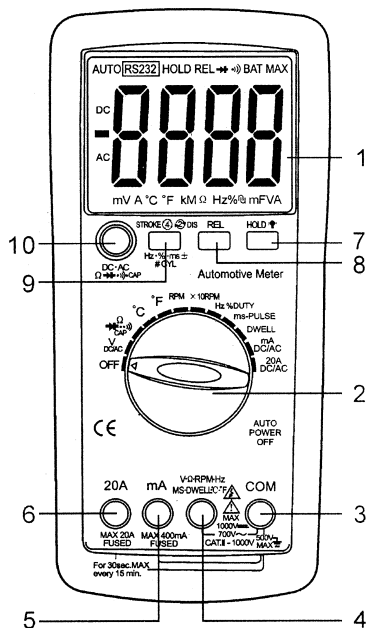
Ce symbole avertit l'opérateur d'un danger potentiel d'endommagement de l'instrument, sans toutefois provoquer endommages à l'opérateur même.



Les cosses marquées avec ce symbole ne doivent pas être enclenchées aux circuits avec un voltage supérieur de 500 V AC ou DC au respect de la terre.



Ce symbole placé à côté d'une borne, avertit l'opérateur de la présence d'une tension dangereuse.



CONTROLES ET CONNECTEURS

- 1 Display LCD à 4 digit avec indication de polarité.
- 2 Sélecteur des fonctions
- 3 Jack d'entrée COM (négatif)
- 4 Jack d'entrée positif (+) pour tensions DC/AC, courant, Hz/% duty cycle, Ω , diodes, continuité, capacité, température ($^{\circ}\text{C}$ ou $^{\circ}\text{F}$), compte tours RPM, Dwell, amplitude des pulsations.
- 5 Jack d'entrée positif pour la mesure de courant DC/AC mA
- 6 Jack d'entrée 20A pour la mesure de courant DC ou AC
- 7 Poussoir Data Hold et allumage écran
- 8 Poussoir Relative
- 9 Poussoir RPM, DWELL, Hz/%, mS +/-.
- 10 Poussoir de Mode.

Symboles

	Essai de continuité
	Batterie épuisée
	Diode
	Data Hold
	Portée automatique
	Courant ou tension alternative
	Courant ou tension continue

SPECIFICATIONS

L'instrument est conforme aux spécifications:	IEC 1010-1 EN 61010-1
Isolation:	Classe 2, isolation double
Catégorie de surtension:	CAT II 1000V
Display:	4 digit type LCD avec indications des fonctions.
Polarité:	Automatique et avec indication de polarité négative (-)
Hors de portée:	le display affiche l'indication "OL"
Indication batterie épuisé:	le display affiche l'indication "BAT".
Rythme de mesure:	2 fois au second, nominal.
Coupure automatique:	l'instrument s'éteint automatiquement après 30 minutes d'inactivité.
Température de fonctionnement:	de 0°C à 50°C avec humidité <70%.
Température de stockage:	de -20°C à +60°C avec humidité <80%
A usage interne, altitude maximum de fonctionnement	2000 m
Degré de pollution:	2
Alimentation:	une batterie de 9V, NEDA 1604, IEC 6F22
Mesures:	195 (H) x 92 (L) x 38 (P)mm
Poids:	environ 380 g

RPM (TACH)			
Portée		Résolution	Précision
RPM4	600-4000RPM	1RPM	±2% du relevé ± 4dgt
	600-12000RPM (10Xrpm)		
	10RPM		
RPM2/DIS	300-4000RPM	1RPM	
	300-6000RPM (10Xrpm)		
	10RPM		

Overload protection: 250V DC ou AC rms

Dewll angle			
Cylinder	Portée	Résolution	Précision
4CYL	0 – 90.0°	0.1°	±2% du relevé ± 4dgt
5CYL	0 – 72.0°		
6CYL	0 – 60.0°		
8CYL	0 – 45.0°		

Overload protection: 250V DC ou AC rms

Tension DC (portée automatique)		
Portée	Résolution	Précision
400.0 mV	0.1mV	± (0.5% du relevé ±2 chiffres)
4.000 V	1mV	± (1.5% du relevé ±2 chiffres)
40.00 V	10mV	
400.0 V	100mV	
1000 V	1V	± (1.8% du relevé ±2 chiffres)

Impédance d'entrée: 10M Ω

Entrée maximum: 1000V DC ou 760V AC rms

Tension AC (portée automatique)		
Portée	Résolution	Précision
4.000 V	1mV	± (1.0% du relevé ±3 chiffres)
40.00 V	10mV	± (1.5% du relevé ±3 chiffres)
400.0 V	100mV	
700 V	1V	± (2.0% du relevé ±4 chiffres)

Impédance d'entrée: 10M Ω

Gamme de fréquence: 50/60Hz

Entrée maximum: 1000V DC ou 700V AC rms

Courant DC (portée automatique)		
Portée	Résolution	Précision
40.00mA	10 μ A	± (1.5% du relevé ±3 chiffres)
400.0mA	100 μ A	
4 A	1mA	± (2.5% du relevé ±5 chiffres)
20 A	10mA	

Protection contre surcharge: 0.5 A/250V et 20 A/250V avec fusible.

Entrée maximum: 400mA DC ou 400mA AC rms dans la portée mA, 20 A DC ou AC rms dans la portée des 20 A

Courant AC (portée automatique)		
Portée	Résolution	Précision
40.00mA	10 μ A	± (1.8% du relevé ±5 chiffres)
400.0mA	100 μ A	
4 A	1mA	± (3.0% du relevé ±7 chiffres)
20 A	10mA	

Protection contre surcharge: 0.5 A/250V e 20 A/250V avec fusible.

Gamme de fréquence: de 50/60Hz.

Entrée maximum: 400mA DC ou 400mA AC rms dans la portée mA, 20 A DC ou AC rms dans la portée des 20 A

Résistance (portée automatique)		
Portée	Résolution	Précision
400.0 Ω	0.1 Ω	\pm (1.2% du relevé \pm 4 chiffres)
4.000 K Ω	1 Ω	\pm (1.0% du relevé \pm 2 chiffres)
40.00 K Ω	10 Ω	\pm (1.2% du relevé \pm 2 chiffres)
400.0 K Ω	100 Ω	
4.000 M Ω	1k Ω	
40.00 M Ω	10k Ω	\pm (2.0% du relevé \pm 3 chiffres)

Protection en entrée: 250V DC ou 250V AC rms

Capacité (portée automatique)		
Portée	Résolution	Précision
40.00 nF	10pF	\pm 5.0% du relevé \pm 7 chiffres
400.0 nF	0.1nF	\pm 3.0% du relevé \pm 5 chiffres
4.000 μ F	1nF	
40.00 μ F	10nF	
100.0 μ F	0.1 μ F	\pm (5.0% du relevé \pm 5 chiffres)

Protection en entrée: 250V DC ou 250V AC rms

Fréquence (portée automatique)		
Portée	Résolution	Précision
5 Hz	0.001Hz	± (1.5% du relevé ±6 chiffres)
50 Hz	0.01Hz	
500 Hz	0.1Hz	± (1.2% du relevé ±3 chiffres)
5 KHz	1 Hz	
50 KHz	10 Hz	
500KHz	100Hz	
10 MHz	1KHz	± (1.5% du relevé ±4 chiffres)

Sensibilité: $<0.5V\ RMS \leq 1MHz$

Sensibilité: $>3V\ RMS < 1\ MHz$

Protection contre surcharge: 250V DC ou AC rms

Duty Cycle		
Portée	Résolution	Précision
0.1%-99.9%	0.1Hz	± (1.2% du relevé ±2 chiffres)

Amplitude pulsations: $>100\mu s, <100ms$

Amplitude de fréquence: 5Hz-150Hz

Sensibilité: $<0.5V\ RMS$

Protection contre surcharge: 250V DC ou AC rms

Amplitude pulsations		
Portée	Résolution	Précision
1.0 - 10.0ms	0.1ms	± (3% du relevé ±10 chiffres)

Protection contre surcharge: 250V DC ou AC rms

Température		
Portée	Résolution	Précision
-20°C à +760°C	1°C	± (3% du relevé ±°C/8°F) précision rapportée au seul la précision de la sonde n'est pas comprise
-4°F à +1400°F	1°F	

Sonde de température: thermocouple K

Essai diodes		
Portée	Résolution	Précision
0.3mA typique	1mV	± (10% du relevé ±5 chiffres)

Tension à circuit ouvert: 1,5V DC typique

Protection contre surcharge: 250V DC ou AC rms

Essai de continuité

Seuil du signal: avec une résistance inférieure aux 150Ω, courant d'essai <0.3mA

Protection contre surcharge: 250V DC o AC rms.

FONCTIONNEMENT

Attention: risque de choc électrique. Faire Attention pendant la phase de mesure des tensions sur circuits AC et DC à haute tension.

- 1 Éteindre toujours l'instrument lorsque n'est pas utilisé. L'instrument a la fonction Auto OFF, qui l'éteint automatiquement si l'on ne l'emploie pas pour 30 minutes.
- 2 Si pendant la phase de mesure le display affiche l'indication "OL", choisir une portée de mesure plus élevée.

Note: Quelques portées très basses en AC ou DC pourraient provoquer l'affichage de valeurs casuelles aussi avec les cosses de l'instrument débranchées. C'est normal et il est provoqué de la très haute sensibilité d'entrée de l'instrument. Si l'on branche les cosses sur des points de mesure l'affichage se stabilise automatiquement.

Poussoir mode

Ce poussoir permet de sélectionner la portée de mesure de tension DC/AC, de courant DC/AC, de résistance, de diodes, de continuité à capacité.

STROKE 4/2 (DIS) Hz, % ms CYL BUTTON

Pour sélectionner STROKE 4/2(DIS) Hz. % gamme ms CYL

Poussoir blocage données / Éclairage écran

La fonction de blocage des données permet à l'instrument de bloquer l'affichage d'une mesure sur la quelle on pourra retourner après.

- 1 Appuyer le poussoir DATA HOLD pour "bloquer" l'affichage présent sur l'écran. L'écran

affichera le mot “HOLD”.

- 2 Appuyer encore le poussoir DATA HOLD pour retourner au fonctionnement normal.
- 3 Si l’on appuie pour deux seconds sur le poussoir BACKLIGHT on allumera l’écran,
- 4 En appuyant encore pour deux seconds le même poussoir BACKLIGHT on éteigne l’écran.

Poussoir relatif

La fonction de mesure relative permet de faire mesures avec référence à une valeur de comparaison mémorisée. Sur l’instrument on pourra mémoriser des valeur de comparaison de voltages, courants etc.. et on pourra comparer les mesures à ceux valeurs.

- 1 Exécuter normalement les mesure comme indiqué sur ce mode d’emploi.
- 2 Appuyer le poussoir RELATIVE pour mémoriser la valeur affichée par l’instrument. L’écran affichera le mot “REL” .
- 3 Maintenant l’écran affichera la différence entre la valeur mémorisée e ce mesurée.
- 4 Appuyer encore le poussoir RELATIVE pour retourner au fonctionnement normal.

Mesure de tensions AC ou DC

- 1 Enclencher la cosse noire sur la prise négative COM de l’instrument et la cosse rouge à la prise positive V.
- 2 Tourner le sélecteur rotatif sur la position VDC/AC.
- 3 Pousser le poussoir MODE pour sélectionner la tension en AC ou DC.
- 4 Toucher avec les cosses les points de mesure et lire directement la tension affichée sur l’écran.

Mesure de courants AC ou DC

Precaution: N’effectuer pas des mesures prolongées pour plus de 30 seconds tout le 15 minutes,

sur la portée de 20 A, vu que l'instrument et les cosses pourraient s'endommager.

- 1 Enclencher la cosse noire sur la prise négative COM de l'instrument et la cosse rouge à la prise:
a Positive mA pour la mesure de courants jusqu'à 400mA.
b Positive 20 A pour la mesure de courants jusqu'à 20 A
- 2 Tourner le sélecteur rotatif sur la position mA ou A.
- 3 Pousser le poussoir MODE pour sélectionner la courant en AC ou DC.
- 4 Brancher les cosses en série au circuit sous examen et lire directement la tension affichée sur l'écran.

Mesure de résistance, diodes, preuve de continuité o capacité

Attention: Pour éviter le danger de choc électrique, débrancher le composant sous examen du circuit et décharger les condensateurs.

- 1 Enclencher la cosse noire sur la prise négative COM de l'instrument et la cosse rouge à la prise positive Ω , $\rightarrow \bullet \rightarrow$, cap.
- 2 Tourner le sélecteur rotatif sur la position Ω , $\rightarrow \bullet \rightarrow$, continuité, CAP.
- 3 Pousser le poussoir MODE pour sélectionner Ω ou $\rightarrow \bullet \rightarrow$, ou capacité.
- 4 Brancher les cosses aux extrémités du composant sous examen: résistance, diode, condensateur etc.
- 5 Lire la valeur de la mesure affichée sur le display LCD de l'instrument.
- 6 Lorsque on fait une preuve de continuité, on entendra un signal acoustique dans le cas que la résistance sous examen soit inférieure aux 150Ω .
- 7 Lorsque on fait la mesure de la tension directe d'un diode, si le diode est intact le display affichera une lecture de 0,4V ou 0,7V pendant que avec la mesure de la tension inverse le display affichera "OL" (comme dans la condition de diode interrompu ou de circuit ouvert). Si le diode

résulte en court circuit, le display affichera 0mV. Lorsque on fait la mesure de la capacité d'un condensateur, s'assurer que le condensateur soit chargé et que le circuit ne soit pas sous tension. L'instrument de cette façon utilisera la portée automatique.

Mesure de la fréquence ou duty cycle

- 1 Enclencher la cosse noire sur la prise négative COM de l'instrument et la cosse rouge à la prise positive Hz.
- 2 Tourner le sélecteur rotatif sur la position Hz ou %.
- 3 Pousser le poussoir Hz/% pour sélectionner Hz o %.
- 4 Toucher avec les cosses de mesure et lire directement la fréquence ou le duty cycle affichés sur le display.

Mesure de température

- 1 Enclencher la sonde de température à thermocouple K dans la prise (COM) et + de l'instrument.
- 2 Tourner le sélecteur rotatif sur la position °C o °F.
- 3 Lire la valeur de la température affichée sur le display.

Mesure amplitude pulsations

- 1 Enclencher la cosse noire sur la prise négative COM de l'instrument et la cosse rouge à la prise positive +.
- 2 Tourner le sélecteur rotatif sur la position Pulse Width.
- 3 Brancher la cosse noire à masse et celle rouge au câble du signal ou est enclenché le composant qui on veut mesurer.

Note: le temps d'application pour la plus part des injecteurs de carburant est indiquée dans la rampe négative (-).

Mesure des tours moteur RPM

- 1 Sélectionner la gamme RPM avec le sélecteur rotatif.
- 2 Sélectionner la gamme X10 RPM avec le sélecteur rotatif (1.000 a 12.000 RPM). Pour obtenir la vitesse RPM, multiplier la valeur lit sur le display pour le facteur de multiplication.
- 3 Pousser le poussoir STROKE 4/2 (DIS) pour sélectionner RPM 4 pour moteurs à 4 temps, ou RPM 2 pour moteurs à 2 temps ou DIS.
- 4 Enclencher la sonde inductive aux cosses de l'instrument.
- 5 Brancher à la masse la cosse COM.
- 6 Brancher l'autre extrémité du câble à la borne RPM.
- 7 Enclencher la sonde inductive sur le câble de connexion d'une bougie d'allumage, si on n'a aucun affichage, débrancher la pince e la brancher de nouveau.

Note:

- Placer la sonde inductive le plus loin possible du distributeur.
- Placer la sonde inductive à peu près 6 cm de la bougie, dans le cas qu'il n'y a pas aucun affichage, brancher la sonde sur un autre câble de connexion de bougie.
- RPM4: pour compter les tours RPM de moteurs à 4 temps qui ont une phase d'allumage tous les 4 phases du moteur.
- RPM2: pour compter les tours RPM de moteurs DIS (Sans système de distribution) et moteurs à 2 temps qui ont une phase d'allumage tous les deux phases du moteur.

Mesure angle dwell

- 1 Enclencher la cosse noire sur la prise négative COM de l'instrument et la cosse rouge à la prise positive +.

- 2 Tourner le sélecteur rotatif sur la position 4 CYL, 5 CYL, 6 CYL, 8 CYL dans la gamme DWELL.
- 3 Brancher la cosse rouge au point d'interruption de l'allumeur ou à la borne négative de la batterie.
- 4 Démarrage moteur. Le display affichera la lecture RPM (tours/minute)

REPLACEMENT DE LA BATTERIE

Attention: avant de remplacer la batterie interne de l'instrument, débrancher le cosses de mesure de tous circuits de mesure.

- 1 Lorsque la batterie de l'instrument est à plat, dans la partie droite du display s'affiche l'indication "BAT". Effectuer donc son remplacement.
- 2 Suivre les renseignements inhérents au remplacement de la batterie indiqués dans ce manuel.
- 3 Evacuer les batteries épuisées selon les dispositions locales.

Attention: Pour éviter le danger de choc électrique, n'employer pas l'instrument avec le couvercle de la boîte à batterie ouvert.

Mis en place de la batterie

Attention: avant de remplacer la batterie interne de l'instrument, débrancher le cosses de mesure de tous circuits de mesure.

- 1 Débrancher le cosses de l'instrument.
- 2 Ouvrir la boîte à batterie en dévissant la vis de blocage.
- 3 Placer une nouvelle batterie en prêtant Attention à la polarité de ses bornes.
- 4 Fermer le couvercle de la boîte à batterie et visser la vis de blocage.

Attention: Pour éviter le danger de choc électrique, n'employer pas l'instrument avec le couvercle de la boîte à batterie ouvert.

Note: Si l'instrument ne marche pas convenablement, vérifier la condition du fusible de protection et la polarité de la batterie.

REPLACEMENT DU FUSIBLE DE PROTECTION

Attention: avant de remplacer le fusible de protection de l'instrument, débrancher les cosses de mesure de tous circuits de mesure.

- 1 Débrancher les cosses de l'instrument.
- 2 Ouvrir le compartiment des fusibles en dévissant la vis de blocage.
- 3 Enlever le fusible brûlé délicatement.
- 4 Installer le fusible neuf dans sa place.
- 5 Utiliser seulement des fusibles avec les mêmes caractéristiques que celui brûlé : 0.5 A/250V type rapide pour la portée des 400mA, et 20 A/250 type rapide pour la portée des 20 A.
- 6 Fermer le compartiment des fusibles avec sa vis de blocage.

Attention: Pour éviter le danger de choc électrique, n'employer pas l'instrument avec le compartiment des fusibles ouvert.

Déclaration CE de conformité

Le produit 1760DGT correspond à la directive de Compatibilité Electromagnetique ECM 89/336/CEE de la Commission de l'Union Européen.

INFORMAZIONI INERENTI LA SICUREZZA

Quando si opera con questo strumento, per assicurare la massima sicurezza operativa, devono essere osservate tutte le precauzioni riportate di seguito.

- Non utilizzare lo strumento se i terminali di misura dovessero risultare danneggiati, oppure se sospettate che lo strumento funzioni in maniera anomala.
- Durante la fase di misura non collegare il proprio corpo alla presa di terra. Non toccare parti esposte, connettori ecc., che potrebbero trovarsi a potenziale di terra. Tenere il proprio corpo isolato da terra utilizzando un tappetino isolante, scarpe isolanti, guanti isolanti o altri materiali atti all'isolamento.
- Prima di dissaldare, tagliare o interrompere una parte del circuito sotto prova, disalimentare completamente il circuito.
- Fare molta attenzione quando operate con tensioni superiori ai 60V DC o 30 V AC RMS in quanto potrebbe esistere il pericolo di shock elettrico.
- Quando utilizzate i puntali, fare attenzione a non toccare la parte metallica degli stessi.
- Non utilizzare lo strumento al di fuori dei suoi limiti di misura, in quanto potrebbe verificarsi un pericolo di shock elettrico per l'operatore. Prima di utilizzare lo strumento, leggere nella parte frontale i limiti di misura.
- Non applicare allo strumento tensioni o correnti superiori ai limiti di targa specificati di seguito:

Limiti di ingresso	
Funzione	Ingresso massimo
V DC o V AC	1000V DC, 700V AC
mA DC/AC	400mA DC/AC
A DC/AC	20 A DC/AC (30 secondi max ogni 15 minuti)
Frequenza, resistenza, capacità, Duty Cycle, prova diodi, prova di continuità, temperatura, giri RPM, Dwell, ampiezza pulsazioni.	250V DC/AC

ITA



SIMBOLI DI SICUREZZA

Questo simbolo riportato a lato di un terminale, invita l'operatore a fare riferimento al manuale d'uso per delle importanti informazioni.

WARNING

Questo simbolo indica una situazione possibile di pericolo che potrebbe risultare dannosa per l'operatore.

CAUTION

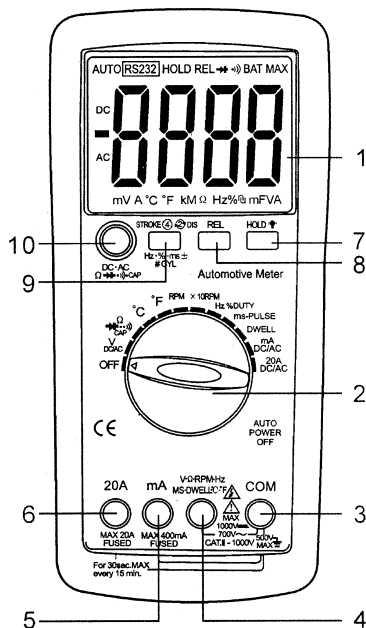
Questo simbolo avvisa l'operatore di un potenziale pericolo di danneggiamento dello strumento, senza tuttavia provocare danni all'operatore stesso.



I terminali contrassegnati da questo simbolo non devono essere collegati a circuiti con una tensione rispetto a terra superiore ai 500V AC o V DC.



Questo simbolo riportato a lato di un terminale, avvisa l'operatore della presenza di una tensione pericolosa.



CONTROLLI E CONNETTORI

- 1 Display LCD a 4 digit con indicazione di polarità
- 2 Selettore funzioni
- 3 Jack di ingresso COM (negativo)
- 4 Jack di ingresso positivo (+) per tensioni DC/AC, corrente, HZ/% duty cycle, Ω , diodi, continuità, capacità, temperatura ($^{\circ}\text{C}$ o $^{\circ}\text{F}$), misura di giri RPM, Dwell, ampiezza pulsazioni
- 5 Jack di ingresso positivo per misura di corrente DC/AC mA
- 6 Jack di ingresso 20A per la misura di correnti DC /AC
- 7 Pulsante Data Hold e retroilluminazione
- 8 Pulsante misura relativa
- 9 Pulsante RPM. DWELL, Hz/%, mS +/-
- 10 Pulsante Mode

Symbols

	Prova di continuità
BAT	Batteria scarica
	Diodo
DATA HOLD	Data Hold
AUTO	Gamma automatica
AC	Corrente o tensione alternata
DC	Corrente o tensione continua

SPECIFICHE

Conforme alle specifiche:	IEC 1010-1 EN 61010-1
Isolamento:	Classe 2, doppio isolamento
Categoria di sovratensione:	CATII 1000V
Display:	4 digit tipo LCD con indicazione funzioni.
Polarità:	Automatica, con indicazione della polarità negativa (-)
Fuori gamma:	sul display appare l'indicazione "OL"
Indicazione batteria scarica:	sul display appare l'indicazione "BAT".
Rateo di misura:	2 volte al secondo, nominali.
Auto spegnimento:	dopo circa 30 minuti di inattività.
Temperatura operativa:	da 0 °C a 50 °C con umidità <70%.
Temperatura di stoccaggio:	da -20 °C a +60 °C con umidità <80%
Per uso interno, altezza massima operativa	2000 m
Grado d'inquinamento:	2
Alimentazione:	una batteria da 9V, NEDA 1604, IEC 6F22
Dimensioni:	195 (H) x 92 (L) x 38 (P) mm
Peso:	circa 380 g

RPM (TACH)			
Gamma		Risoluzione	Precisione
RPM4	600-4000RPM	1RPM	±2% della lettura ± 4dgt
	600-12000RPM (10Xrpm)	10RPM	
	RPM2/DIS	300-4000RPM	
RPM2/DIS	300-6000RPM (10Xrpm)	10RPM	

Protezione da sovraccarico: 250V DC o AC rms

Dewll angle			
Cilindri	Gamma	Risoluzione	Precisione
4CYL	0 – 90.0°	0.1°	±2% della lettura ± 4dgt
5CYL	0 – 72.0°		
6CYL	0 – 60.0°		
8CYL	0 – 45.0°		

Protezione da sovraccarico: 250V DC o AC rms

Tensione DC (gamma automatica)		
Gamma	Risoluzione	Precisione
400.0 mV	0.1mV	± (0.5% della lettura ±2 digits)
4.000 V	1mV	± (1.5% della lettura ±2 digits)
40.00 V	10mV	
400.0 V	100mV	
1000 V	1V	± (1.8% della lettura ±2 digits)

Impedenza di ingresso: 10MΩ

Ingresso massimo: 1000V DC o 760V AC rms

Tensione AC (gamma automatica)		
Gamma	Risoluzione	Precisione
4.000 V	1mV	± (1.0% della lettura ±3 digits)
40.00 V	10mV	± (1.5% della lettura ±3 digits)
400.0 V	100mV	
700 V	1V	± (2.0% della lettura ±4 digits)

Impedenza di ingresso: 10MΩ

Gamma di frequenza: 50/60Hz

Ingresso massimo: 1000V DC o 700V AC rms

Corrente DC (gamma automatica)		
Gamma	Risoluzione	Precisione
40.00mA	10 μ A	± (1.5% della lettura ±3 digits)
400.0mA	100 μ A	
4 A	1mA	± (2.5% della lettura ±5 digits)
20 A	10mA	

Protezione contro sovraccarico: 0.5 A/250V e 20 A/250V con fusibile.

Ingresso massimo: 400mA DC oppure 400mA AC rms nella gamma mA, 20 A DC o AC rms nella gamma dei 20 A

Corrente AC (gamma automatica)		
Gamma	Risoluzione	Precisione
40.00mA	10 μ A	± (1.8% della lettura ±5 digits)
400.0mA	100 μ A	
4 A	1mA	± (3.0% della lettura ±7 digits)
20 A	10mA	

Protezione contro sovraccarico: 0.5 A/250V e 20 A/250V con fusibile.

Gamma di frequenza: da 50/60Hz.

Ingresso massimo: 400mA DC oppure 400mA AC rms nella gamma mA, 20 A DC o AC rms nella gamma dei 20 A

Resistenza (gamma automatica)		
Gamma	Risoluzione	Precisione
400.0 Ω	0.1 Ω	\pm (1.2% della lettura ± 4 digits)
4.000 k Ω	1 Ω	\pm (1.0% della lettura ± 2 digits)
40.00 k Ω	10 Ω	\pm (1.2% della lettura ± 2 digits)
400.0 k Ω	100 Ω	
4.000 M Ω	1k Ω	
40.00 M Ω	10k Ω	\pm (2.0% della lettura ± 3 digits)

Protezione in ingresso: 250V DC o 250V AC rms

Capacità (gamma automatica)		
Gamma	Risoluzione	Precisione
40.00 nF	10pF	\pm (5.0% della lettura ± 7 digits)
400.0 nF	0.1nF	\pm (3.0% della lettura ± 5 digits)
4.000 μ F	1nF	
40.00 μ F	10nF	
100.0 μ F	0.1 μ F	\pm (5.0% della lettura ± 5 digits)

Protezione in ingresso: 250V DC o 250V AC rms

Frequenza (gamma automatica)		
Gamma	Risoluzione	Precisione
5 Hz	0.001Hz	± (1.5% della lettura ±6 digits)
50 Hz	0.01Hz	
500 Hz	0.1Hz	± (1.2% della lettura ±3 digits)
5 KHz	1 Hz	
50 KHz	10 Hz	
500KHz	100Hz	
10 MHz	1KHz	± (1.5% della lettura ±4 digits)

Sensibilità: $<0.5V\ RMS \leq 1MHz$

Sensibilità: $>3V\ RMS < 1\ MHz$

Protezione contro sovraccarico: 250V DC o AC rms

Duty Cycle		
Gamma	Risoluzione	Precisione
0.1%-99.9%	0.1Hz	± (1.2% della lettura ±2 digits)

Ampiezza pulsazioni: $>100\mu s, <100ms$

Ampiezza frequenza: 5Hz-150Hz

Sensibilità: $<0.5V\ RMS$

Protezione contro sovraccarico: 250V DC o AC rms

Ampiezza pulsazioni		
Gamma	Risoluzione	Precisione
1.0 - 10.0ms	0.1ms	± (3% della lettura ±10 digits)

Protezione contro sovraccarico: 250V DC o AC rms

Temperatura		
Gamma	Risoluzione	Precisione
-20°C a +760°C	1°C	± (3% della lettura ±°C/8°F) precisione riferita al solo strumento, la precisione della sonda non è inclusa
-4°F a +1400°F	1°F	

Sensore: tipo K termocoppia

Prova diodi		
Gamma	Risoluzione	Precisione
0.3mA tipica	1mV	± (10% della lettura ±5 digits)

Tensione a circuito aperto: 1,5V DC tipica

Protezione contro sovraccarico: 250V DC o AC rms

Prova di continuità

Soglia del segnale: con una resistenza inferiore ai 150Ω, corrente di prova <0.3mA

Protezione contro sovraccarico: 250V DC o AC rms.

OPERAZIONI

Attenzione: rischio di shock elettrico. Prestare attenzione durante la fase di misura di tensioni su circuiti AC e DC ad alta tensione.

- 1 Spegnere sempre lo strumento quando non viene utilizzato. Lo strumento è provvisto della funzione Auto OFF, la quale provvede allo spegnimento automatico in caso di inutilizzo per almeno 30 minuti.
- 2 Se durante la fase di misura sul display appare l'indicazione "OL", selezionare una gamma di misura più elevata.

Nota: Alcune gamme di tensione molto basse in AC o DC potrebbero portare alla visualizzazione di valori casuali sul display anche con i puntali dello strumento scollegati. Questo è normale ed è causato dalla elevata sensibilità di ingresso dello strumento. Collegando i puntali ad un punto di misura, la lettura si stabilizzerà automaticamente.

Pulsante mode

Questo pulsante consente di selezionare la gamma di misura di tensione DC/AC, corrente DC/AC, resistenza, diodi, continuità a capacità.

STROKE 4/2 (DIS) Hz, % ms CYL BUTTON. Per selezionare STROKE 4/2(DIS) Hz, % gamma ms CYL

Pulsante blocco dati / Retroilluminazione

La funzione blocco dati consente allo strumento di bloccare una misura su cui poter tornare successivamente.

- 1 Premere il pulsante DATA HOLD per "bloccare" la lettura presente sullo schermo. Sullo schermo comparirà la scritta "HOLD".
- 2 Premere ancora il pulsante DATA HOLD per tornare al funzionamento normale.

- 3 Se si tiene premuto per 2 secondi il pulsante BACKLIGHT si attiva la retroilluminazione dello schermo
- 4 Premendo ancora per due secondi il pulsante BACKLIGHT si spegne la retroilluminazione.

Pulsante relativo

La funzione di misura relativa consente di eseguire misure relative ad un valore di riferimento memorizzato. Nello strumento sarà possibile memorizzare valori di riferimento di voltaggi, correnti, ecc., e le misure potranno essere paragonate con detti valori.

- 1 Eseguire normalmente la misura così come descritto nelle istruzioni d'uso.
- 2 Premere il pulsante RELATIVE per memorizzare il valore che compare sullo schermo e su questo comparirà la scritta "REL".
- 3 Lo schermo mostrerà ora la differenza fra il valore memorizzato e quello misurato.
- 4 Premere ancora il pulsante RELATIVE per tornare al funzionamento normale.

Misura di tensione AC o DC

- 1 Inserire il puntale nero alla presa negativa COM dello strumento ed il puntale rosso al jack positivo V.
- 2 Ruotare il selettore rotativo portandolo sulla posizione VDC/AC.
- 3 Premere il pulsante MODE per selezionare la tensione in AC o DC.
- 4 Toccare con i puntali i punti di misura e leggere direttamente la tensione misurata sul display.

Misura di correnti AC o DC

Precauzione: Non effettuare misure prolungate per oltre 30 secondi ogni 15 minuti sulla gamma dei 20 A, in quanto lo strumento e i puntali di misura potrebbero danneggiarsi.

- 1 Inserire il puntale nero alla presa negativa COM dello strumento ed il puntale rosso al jack:
 - a Positivo mA per la misura di correnti fino a 400mA.

- b Positivo 20° per la misura di correnti fino a 20 A
- 2 Ruotare il selettore rotativo portandolo sulla posizione mA oppure A.
- 3 Premere il pulsante MODE per selezionare la corrente in AC o DC.
- 4 Collegare i puntali in serie al circuito sotto esame e leggere direttamente la corrente misurata sul display.

Misura di resistenza, diodi , prova di continuità o capacità

Attenzione: Per evitare il pericolo di shock elettrico, scollegare il componente sotto prova dal circuito e scaricare i condensatori.

- 1 Inserire il puntale nero alla presa negativa COM dello strumento ed il puntale rosso al jack positivo Ω , \rightarrow , CAP.
- 2 Ruotare il selettore rotativo portandolo sulla posizione Ω , \rightarrow , \rightarrow , CAP.
- 3 Premere il pulsante MODE per selezionare Ω oppure \rightarrow , oppure \rightarrow o capacità.
- 4 Collegare i puntali ai capi del componente che si intende testare, resistenza, diodo, condensatore etc.
- 5 Leggere il valore della misura sul display LCD dello strumento.
- 6 Quando si effettua una prova di continuità, si sentirà un segnale acustico nel caso che la resistenza del circuito sotto prova risulti inferiore ai 150 Ω .
- 7 Quando si effettua la misura della tensione diretta di un diodo, se il diodo è integro si otterrà una lettura sul display pari a 0,4V oppure 0,7V mentre la misura della tensione inversa produrrà l'indicazione sul display "OL" (come nella condizione di diodo interrotto o circuito aperto). Se il diodo risulta in corto, si avrà l'indicazione di 0mV. Quando si effettua la misura della capacità di un condensatore, accertarsi che il condensatore sia scarico e che il circuito sia disalimentato. Lo strumento in questo modo utilizza la gamma automatica.

Misura della frequenza o duty cycle

- 1 Inserire il puntale nero alla presa negativa COM dello strumento ed il puntale rosso al jack positivo Hz.
- 2 Ruotare il selettore rotativo portandolo sulla posizione Hz o %.
- 3 Premere il pulsante Hz/% per selezionare Hz o %.
- 4 Toccare con i puntali i punti di misura e leggere direttamente la frequenza od il duty cycle misurata sul display.

Misura di temperatura

- 1 Inserire la sonda di temperatura a termocoppia K nella presa (COM) e + dello strumento.
- 2 Ruotare il selettore rotativo portandolo sulla posizione °C o °F.
- 3 Leggere il valore della temperatura sul display.

Misura ampiezza pulsazioni

- 1 Inserire il puntale nero alla presa negativa COM dello strumento ed il puntale rosso al jack positivo +.
- 2 Ruotare il selettore rotativo portandolo sulla posizione Pulse Width.
- 3 Collegare il puntale nero a massa ed il puntale rosso al cavo del segnale dove si trova collegato il componente che si intende misurare.

Nota: Il tempo di applicazione per la maggior parte di iniettori di carburante è indicato nella rampa negativa (-).

Misura tachimetrica RPM

- 1 Selezionare la gamma RPM tramite il selettore rotativo.
- 2 Selezionare la gamma X10 RPM tramite il selettore rotativo (1.000 a 12.000 RPM). Per ottenere la velocità RPM, moltiplicare il valore letto sul display per il fattore moltiplicatore.

- 3 Premere il pulsante STROKE 4/2 (DIS) per selezionare RPM 4 per motori a 4 tempi, oppure RPM 2 per motori a 2 tempi o DIS
- 4 Collegare la sonda induttiva ai terminali dello strumento.
- 5 Collegare a massa il terminale COM.
- 6 Collegare l'altro capo al terminale RPM.
- 7 Collegare la sonda induttiva sul cavo di collegamento di una candela di accensione, se non si ottiene alcuna lettura, scollegare la pinza e ricollegarla nuovamente.

Note:

- Posizionare la sonda induttiva il più lontano possibile dal distributore.
- Posizionare la sonda induttiva a circa 6cm dalla candela, nel caso non si ottenga alcuna lettura, collegare la sonda su di un altro cavetto di collegamento delle candele.
- RPM4: Per misurare i giri RPM di motori a 4 tempi che presentano una fase di accensione ogni 4 fasi del motore.
- RPM2: per misurare i giri RPM di motori DIS (Senza sistema di distribuzione) e motori a 2 tempi che presentano una fase di accensione ogni 2 fasi del motore.

Misura Angolo Dwell

- 1 Inserire il puntale nero al terminale COM dello strumento e quello rosso al terminale positivo +.
- 2 Ruotare il selettore rotativo sulla corrispondente posizione 4CYL, 5CYL, 6CYL, 8CYL nella gamma DWELL.
- 3 Collegare il puntale rosso al punto di interruzione dello spinterogeno oppure al terminale negativo della batteria.
- 4 Avviamento motore. Il visore mostrerà la lettura RPM (giri al minuto)

SOSTITUZIONE DELLA BATTERIA

Attenzione: Prima di procedere alla sostituzione della batteria interna dello strumento, scollegare i puntali di misura da qualsiasi circuito di misura.

- 1 Quando la batteria dello strumento risulta scarica, nella parte destra del display appare l'indicazione "BAT". Procedere quindi alla sua sostituzione.
- 2 Seguire le istruzioni inerenti l'installazione della batteria riportate nel presente manuale.
- 3 Gettare le batterie scariche negli appositi contenitori per la raccolta delle batterie esauste.

Attenzione: Onde evitare il pericolo di shock elettrico, non utilizzare lo strumento con il coperchio del vano batterie rimosso.

Installazione della batteria

Attenzione: Prima di procedere alla sostituzione della batteria interna dello strumento, scollegare i puntali di misura da qualsiasi circuito di misura.

- 1 Scollegare i puntali dallo strumento.
- 2 Aprire il vano batterie svitando la vite di blocco.
- 3 Inserire una nuova batteria facendo attenzione alla corretta polarità di inserimento.
- 4 Richiudere il coperchio del vano batterie ed avvitare la vite di blocco.

Attenzione: Onde evitare il pericolo di shock elettrico, non utilizzare lo strumento con il coperchio del vano batterie rimosso.

Nota: Se lo strumento non funziona correttamente, verificare la condizione del fusibile di protezione e la polarità di inserimento della batteria.

SOSTITUZIONE DEL FUSIBILE DI PROTEZIONE

Attenzione: Prima di procedere alla sostituzione del fusibile di protezione dello strumento, scollegare i puntali di misura da qualsiasi circuito di misura.

- 1 Scollegare i puntali dallo strumento.
- 2 Aprire il vano fusibili svitando la vite di blocco.
- 3 Rimuovere il fusibile bruciato estraendolo delicatamente.
- 4 Installare un nuovo fusibile nel portafusibile.
- 5 Utilizzare unicamente un fusibile dalle stesse caratteristiche di quello bruciato 0.5 A/250V di tipo rapido per la gamma dei 400mA, e 20 A/250 di tipo rapido per la gamma dei 20 A.
- 6 Richiudere il vano fusibili riavvitando la vite di blocco.

Attenzione: per evitare il pericolo di shock elettrico, non operare con lo strumento con il portellino dei fusibili aperto.

Dichiarazione di Conformità CE

Il prodotto 1760DGT risponde alla direttiva ECM 89/336/CEE emanata dalla Commissione della Comunità Europea.

TESTER PARA USO AUTOMOVILÍSTICO MOD. 1760DGT

INFORMACIONES RELATIVAS A LA SEGURIDAD

Cuando se trabaja con este instrumento, para garantizar la máxima seguridad operativa, es necesario observar todas las precauciones que presentamos a continuación.

- No utilicen el instrumento si los terminales de medición debiesen resultar dañados o si sospechan que el instrumento funciona de manera anómala.
- Durante la fase de medición no conecten el propio cuerpo a la toma de tierra. No toquen partes expuestas, conectores, etc, que podrían encontrarse a potencial de tierra. Mantengan el propio cuerpo aislado del piso utilizando un tapete aislante, zapados aislantes, guantes aislantes u otros materiales adecuados para el aislamiento.
- Antes de desoldar, cortar o interrumpir una parte del circuito bajo prueba, hay que desalimentar completamente el circuito.
- Prestar mucha atención cuando trabajen con tensiones superiores a los 60V DC ó 30 V AC RMS pues podría existir el peligro de shock eléctrico.
- Cuando utilizan las clavijas, presten atención a no tocar la parte metálica de ellos.
- No utilicen el instrumento por fuera de sus límites de medición, pues podría comprobarse un peligro de shock eléctrico para el operador. Antes de utilizar el instrumento, lean en la parte frontal los límites de medición.
- No apliquen al instrumento tensiones o corrientes superiores a los límites de placa especificados a continuación.

Límites de entrada	
Función	Entrada máxima
V DC o V AC	1000V DC, 700V AC
mA DC/AC	400mA DC/AC
A DC/AC	20 A DC/AC (30 segundos máx. por 15 minutos)
Frecuencia, resistencia, capacidad, duty cycle, prueba diodos, prueba de continuidad,, temperatura, RPM, Dwell, amplitud pulsaciones	250V DC/AC

SÍMBOLOS DE SEGURIDAD



Este símbolo presentado al lado de un terminal, invita al operador a remitirse al manual de uso para obtener importantes informaciones.

WARNING

Este símbolo indica una posible situación de peligro que podría resultar dañina para el operador.

CAUTION

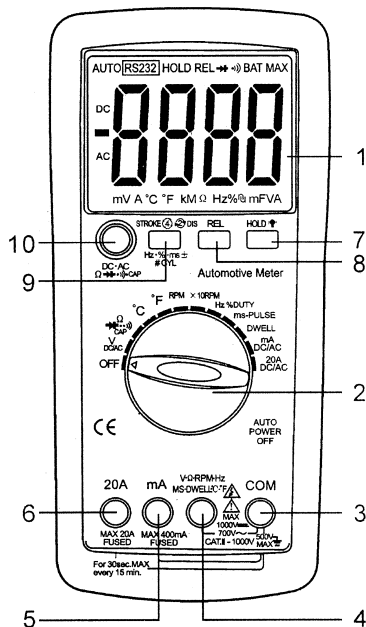
Este símbolo avisa al operador acerca de un potencial peligro de daño del instrumento, sin provocar, sin embargo, daños al operador mismo.



Los terminales marcados por este símbolo no deben ser conectados a circuitos con una tensión respecto a la tierra superior a los 500V AC o V DC



Este símbolo presentado al lado de un terminal, avisa al operador acerca de la presencia de una tensión peligrosa.



CONTROLES Y CONECTORES

- 1 Display LCD de 4000 count con indicación de polaridad
- 2 Selector de funciones
- 3 Jack de entrada COM (negativo)
- 4 Jack de entrada positivo (+) para tensiones DC/AC, corriente, HZ/% duty cycle, W, diodos, continuidad, capacidad, temperatura (°C o °F), medición de revoluciones RPM, Dwell, amplitud de pulsaciones
- 5 Jack de entrada positivo para la medición de corriente DC/AC mA.
- 6 Jack de entrada 20A para la medición de corrientes DC o AC
- 7 Botón Data Hold y retroiluminación.
- 8 Botón
- 9 Botón RPM. DWELL, Hz/%, mS +/-.
- 10 Botón Mode

Símbolos

	Prueba de continuidad
	Batería descargada
	Diodo
	Data Hold
	Gama automática
	Corriente o tensión alterna
	Corriente o tensión continua

ES

ESPECIFICACIONES

El instrumento resulta conforme a las especificaciones:

Aislamiento:

Categoría de sobretensión:

Display:

Polaridad:

Fuera gama:

Indicación de batería descargada:

Cuota de medición:

Auto apagado:

Temperatura operativa:

Temperatura de almacenamiento:

Para uso interno, altura máxima operativa

Pollution degree:

Alimentación:

Dimensiones:

Peso:

IEC 1010-1 EN 61010-1

Clase 2, doble aislamiento

CAT II 1000V

4 digits tipo LCD con indicación de funciones.

Automática y con indicación de la polaridad negativa (-)

En el display aparece la indicación “OL”

Cuando la tensión de la batería desciende por debajo del nivel operativo mínimo, aparece en el display la indicación “BAT”.

2 veces por segundo, nominales.

El instrumento se apaga automáticamente luego de aproximadamente 30 minutos de inactividad.

de 0°C a 50°C con humedad <70%.

de -20°C a +60°C con humedad <80%

2000m

2

una batería de 9V, NEDA 1604, IEC 6F22

195 (H) x 92 (L) x 38 (P)mm

aproximadamente 380 g

RPM (TACH)			
Gama		Resolución	Precisión
RPM4	600-4000RPM	1RPM	±2% de la lectura ± 4dgt
	600-12000RPM (10Xrpm)		
	10RPM		
RPM2/DIS	300-4000RPM	1RPM	
	300-6000RPM (10Xrpm)	10RPM	

Protección contra sobrecarga: 250V Dc ó AC rms

Dewll angle			
Cilindri	Gamma	Resolución	Precisión
4CYL	0 – 90.0°	0.1°	±2% de la lectura ± 4dgt
5CYL	0 – 72.0°		
6CYL	0 – 60.0°		
8CYL	0 – 45.0°		

Protección contra sobrecarga: 250V Dc ó AC rms

Tensión DC (gama automática)		
Gama	Resolución	Precisión
400.0 mV	0.1mV	± (0.5% de la lectura ±2 digits)
4.000 V	1mV	
40.00 V	10mV	± (1.5% de la lectura ±2 digits)
400.0 V	100mV	
1000 V	1V	± (1.8% de la lectura ±2 digits)

Impedancia de entrada: 10MΩ

Entrada máxima: 1000V DC ó 760V AC rms

Tensión AC (gama automática)		
Gama	Resolución	Precisión
4.000 V	1mV	± (1.0% de la lectura ±3 digits)
40.00 V	10mV	± (1.5% de la lectura ±3 digits)
400.0 V	100mV	
700 V	1V	± (2.0% de la lectura ±4 digits)

Impedancia de entrada: 10MΩ

Gama de frecuencia: 50/60Hz

Entrada máxima: 1000V DC ó 700V AC rms

Corriente DC (gama automática)		
Gama	Resolución	Precisión
40.00mA	10 μ A	± (1.5% de la lectura ±3 digits)
400.0mA	100 μ A	
4 A	1mA	± (2.5% de la lectura ±5 digits)
20 A	10mA	

Protección contra sobrecarga: 0.5 A/250V y 20 A/250V con fusible.

Entrada máxima: 400mA DC ó 400mA AC rms en la gama mA, 20 A DC o AC rms en la gama de los 20 A

Corriente AC (gama automática)		
Gama	Resolución	Precisión
40.00mA	10 μ A	± (1.8% de la lectura ±5 digits)
400.0mA	100 μ A	
4 A	1mA	± (3.0% de la lectura ±7 digits)
20 A	10mA	

Protección contra sobrecarga: 0.5 A/250V y 20 A/250V con fusible.

Gama de frecuencia: 50/60Hz.

Entrada máxima: 400mA DC ó 400mA AC rms en la gama mA, 20 A DC o AC rms en la gama de los 20 A

Resistencia (gama automática)		
Gama	Resolución	Precisión
400.0 Ω	0.1 Ω	\pm (1.2% de la lectura ± 4 digits)
4.000 k Ω	1 Ω	\pm (1.0% de la lectura ± 2 digits)
40.00 k Ω	10 Ω	\pm (1.2% de la lectura ± 2 digits)
400.0 k Ω	100 Ω	
4.000 M Ω	1k Ω	
40.00 M Ω	10k Ω	\pm (2.0% de la lectura ± 3 digits)

Protección en entrada: 250V DC ó 250V AC rms

Capacidad (gama automática)		
Gama	Resolución	Precisión
40.00 nF	10pF	\pm (5.0% de la lectura ± 7 digits)
400.0 nF	0.1nF	\pm (3.0% de la lectura ± 5 digits)
4.000 μ F	1nF	
40.00 μ F	10nF	
100.0 μ F	0.1 μ F	\pm (5.0% de la lectura ± 5 digits)

Protección en entrada: 250V DC ó 250V AC rms

Frecuencia (gama automática)		
Gama	Resolución	Precisión
5 Hz	0.001Hz	± (1.5% de la lectura ±6 digits)
50 Hz	0.01Hz	
500 Hz	0.1Hz	± (1.2% de la lectura ±3 digits)
5 KHz	1 Hz	
50 KHz	10 Hz	
500KHz	100Hz	
10 MHz	1KHz	± (1.5% de la lectura ±4 digits)

Sensibilidad: $<0.5V\ RMS \leq 1MHz$

Sensibilidad: $>3V\ RMS < 1\ MHz$

Protección contra sobrecarga: 250V DC ó AC rms

Duty Cycle		
Gama	Resolución	Precisión
0.1%-99.9%	0.1Hz	± (1.2% de la lectura ±2 digits)

Amplitud pulsaciones: $>100\mu s, <100ms$

Amplitud frecuencia: 5Hz-150Hz

Sensibilidad: $<0.5V\ RMS$

Protección contra sobrecarga: 250V DC ó AC rms

Amplitud pulsaciones		
Gama	Resolución	Precisión
1.0 - 10.0ms	0.1ms	± (3% de la lectura ±10 digits)

Protección contra sobrecarga: 250V DC ó AC rms

Temperatura		
Gama	Resolución	Precisión
-20°C a +760°C	1°C	± (3% de la lectura ±°C/8°F) precisión referida sólo al instrumento, la precisión de la sonda no está incluida
-4°F a +1400°F	1°F	

Sonda de temperatura de termopar K

Prueba diodos		
Gama	Resolución	Precisión
0.3mA típica	1mV	± (10% de la lectura ±5 digits)

Tensión a circuito abierto: 1,5V DC típica - Protección contra sobrecarga: 250V DC ó AC rms

Prueba de continuidad

Umbral de la señal: con una resistencia inferior a los 150Ω, corriente de prueba <0.3mA

Protección contra sobrecarga: 250V DC ó AC rms

OPERACIONES

Atención: riesgo de shock eléctrico. Presten atención durante la fase de medición de tensiones en circuitos AC y DC de alta tensión.

- 1 Apaguen siempre el instrumento cuando no se utiliza. El instrumento cuenta con la función Auto OFF, la cual lleva a cabo el apagado automático del instrumento en caso de inutilización durante por lo menos 30 minutos.
- 2 Si durante la fase de medición aparece en el display la indicación “OL”, hay que seleccionar una gama de medición más elevada.

Nota: Algunas gamas de tensión muy bajas en AC o DC podrían conducir a la visualización de valores casuales en el display, inclusive con las clavijas del instrumento desconectadas. Esto es normal y está provocado por la elevada sensibilidad de entrada del instrumento. Conectando las clavijas a un punto de medición, la lectura se estabilizará automáticamente.

Botón mode

Este botón permite seleccionar la gama de medición de tensión DC/AC, corriente DC/AC, resistencia, diodos, continuidad a capacidad.

STROKE 4/2 (DIS) Hz, % ms CYL BUTTON. Para seleccionar STROKE 4/2 (DIS) Hz. % gama ms CYL

Botón bloque datos / Retroiluminación

La función bloque de datos permite que el instrumento bloquee una medición sobre la cual poder volver sucesivamente.

- 1 Presionar el botón DATA HOLD para “bloquear” la lectura presente en la pantalla. En la pantalla aparecerá la palabra “HOLD”.
- 2 Presionar de nuevo el botón DATA HOLD para regresar al funcionamiento normal.

- 3 Si se mantiene presionado por 2 segundos el botón BACKLIGHT, se activa la retroiluminación de la pantalla.
- 4 Presionando de nuevo por dos segundos el botón BACKLIGHT, se apaga la retroiluminación.

Botón relativo

La función de medición relativa permite llevar a cabo mediciones relativas a un valor de referencia memorizado. En el instrumento se podrá memorizar valores de referencia de voltajes, corrientes, etc., y las mediciones podrán ser comparadas con dichos valores.

- 1 Efectuar normalmente la medición así como se describió en las instrucciones de uso.
- 2 Presionar el botón RELATIVE para memorizar el valor que aparece en la pantalla y en ella aparecerá la palabra "REL".
- 3 La pantalla mostrará ahora la diferencia entre el valor memorizado y aquel medido.
- 4 Presionar de nuevo el botón RELATIVE para regresar al funcionamiento normal.

Medición de tensión AC ó DC

- 1 Insertar la clavija negra en la toma negativa COM del instrumento y la clavija roja al jack positivo V.
- 2 Girar el selector rotativo poniéndolo en la posición VDC/AC.
- 3 Presionar el botón MODE para seleccionar la tensión en AC o DC.
- 4 Tocar con las clavijas los puntos de medición y leer directamente la tensión medida en el display.

Medición de corrientes AC ó DC

Precaución: No efectúen mediciones prolongadas por más de 30 segundos cada 15 minutos en la gama de los 20 A, pues el instrumento y las clavijas de medición podrían dañarse.

- 1 Insertar la clavija negra en la toma negativa COM del instrumento y la clavija roja en el jack:
 - a Positivo mA para la medición de corrientes de hasta 400mA.
 - b Positivo 20° para la medición de corrientes de hasta 20 A
- 2 Girar el selector rotativo poniéndolo en la posición mA o A.
- 3 Presionar el botón MODE para seleccionar la corriente en AC o DC.
- 4 Conectar las clavijas en serie al circuito bajo examen y leer directamente la tensión medida en el display.

Medición de resistencia, diodos, prueba de continuidad o capacidad

Atención: Para evitar el peligro de shock eléctrico, desconecten el componente bajo prueba del circuito y descarguen los condensadores.

- 1 Insertar la clavija negra en la toma negativa COM del instrumento y la clavija roja en el jack positivo Ω , \rightarrow \rightarrow \rightarrow cap.
- 2 Girar el selector rotativo poniéndolo en la posición Ω , \rightarrow \rightarrow \rightarrow CAP.
- 3 Presionar el botón MODE para seleccionar Ω , \rightarrow \rightarrow \rightarrow o CAP.
- 4 Conectar las clavijas a los extremos del componente que se desea testar, resistencia, diodo, condensador, etc.
- 5 Leer el valor de la medición en el display LCD del instrumento.
- 6 Cuando se efectúa una prueba de continuidad, se sentirá una señal acústica en el caso que la resistencia del circuito bajo prueba resulte inferior a los 150 Ω .
- 7 Cuando se efectúa la medición de la tensión directa de un diodo, si el diodo está íntegro se obtendrá una lectura en el display igual a 0,4V ó 0,7V, mientras que la medición de la tensión inversa producirá la indicación en el display "OL" (como en la condición de diodo interrumpido o circuito abierto). Si el diodo resulta en cortocircuito, se tendrá la indicación de 0mV. Cuando se efectúa la

medición de la capacidad de un condensador, hay que asegurarse de que el condensador esté descargado y que el circuito no esté alimentado. De esta manera, el instrumento utiliza la gama automática.

Medición de la frecuencia ó duty cycle

- 1 Insertar la clavija negra en la toma negativa COM del instrumento y la clavija roja en el jack positivo Hz.
- 2 Girar el selector rotativo poniéndolo en la posición Hz o %.
- 3 Presionar el botón Hz/% para seleccionar Hz o %. Tocor con las clavijas los puntos de medición y leer directamente la frecuencia o el duty cycle medida en el display.

Medición de temperatura

- 1 Insertar la sonda de temperatura de termopar K en la toma (COM) y + del instrumento.
- 2 Girar el selector rotativo poniéndolo en la posición °C o °F.
- 3 Leer el valor de la temperatura en el display.

Medición de la amplitud de las pulsaciones

- 1 Insertar la clavija negra en la toma negativa COM del instrumento y la clavija roja en el jack positivo +.
- 2 Girar el selector rotativo poniéndolo en la posición Pulse Width.
- 3 Conectar la clavija negra en masa y la clavija roja al cable de la señal donde está conectado el componente que se desea medir.

Nota: El tiempo de aplicación para la mayor parte de los inyectores de carburante está indicado en la rampa negativa (-).

Medición taquimétrica rpm

- 1 Seleccionar la gama RPM mediante el selector rotativo.
- 2 Seleccionar la gama X10 RPM mediante el selector rotativo (1.000 a 12.000 RPM). Para obtener

- la velocidad RPM, multiplicar el valor leído en el display por el factor multiplicador.
- 3 Presionar el botón STROKE 4/2 (DIS) para seleccionar RPM 4 para motores de 4 tiempos, o RPM 2 para motores de 2 tiempos o DIS.
 - 4 Conectar la sonda inductiva a los terminales del instrumento.
 - 5 Conectar en masa el terminal COM.
 - 6 Conectar el otro extremo al terminal RPM.
 - 7 Conectar la sonda inductiva en el cable de conexión de una bujía de encendido; si no se obtiene ninguna lectura, desconectar la pinza y reconectarla nuevamente.

Notas:

- Posicionar la sonda inductiva lo más lejos posible del distribuidor.
- Posicionar la sonda inductiva a aproximadamente 6cm de la bujía; si no se obtuviese ninguna lectura, habrá que conectar la sonda en otro cablecito de conexión de las bujías.
- RPM4: Para medir las revoluciones RPM de motores de 4 tiempos que presentan una fase de encendido cada 4 fases del motor.
- RPM2: para medir las revoluciones RPM de motores DIS (Sin sistema de distribución) y motores de 2 tiempos que presentan una fase de encendido cada 2 fases del motor.

Medición del ángulo dwell

- 1 Insertar la clavija negra al terminal COM del instrumento y la roja al terminal positivo +.
- 2 Girar el selector rotativo en la correspondiente posición 4CYL, 5CYL, 6CYL, 8CYL en la gama DWELL.
- 3 Conectar la clavija roja en el punto de interrupción del distribuidor de encendido o al terminal negativo de la batería.
- 4 Puesta en marcha del motor. El visor mostrará la lectura RPM (revoluciones por minuto).

SUSTITUCIÓN DE LA BATERÍA

Atención: Antes de sustituir la batería interna del instrumento, hay que desconectar las clavijas de medición de cualquier circuito de medición.

- 1 Cuando la batería del instrumento resulta descargada, en la parte derecha del display aparece la indicación “BAT”. Entonces sustitúyanla.
- 2 Sigam las instrucciones inherentes a la sustitución de la batería, indicadas en el presente manual.
- 3 Coloquen las baterías descargadas en los correspondientes contenedores para la recolección de las baterías agotadas.

Atención: Con el fin de evitar el peligro de shock eléctrico, no utilicen el instrumento con la tapa del espacio de las baterías extraído.

Instalación de la batería

Atención: Antes de sustituir la batería interna del instrumento, desconecten las clavijas de medición de cualquier circuito de medición.

- 1 Desconectar las clavijas del instrumento.
- 2 Abrir el espacio de las baterías destornillando el tornillo de bloqueo.
- 3 Introducir una nueva batería prestando atención a la correcta polaridad de conexión.
- 4 Cerrar la tapa del espacio de las baterías y atornillar el tornillo de bloqueo.

Atención: Con el fin de evitar el peligro de shock eléctrico, no utilicen el instrumento con la tapa del espacio de las baterías extraído.

Nota: Si el instrumento no funciona correctamente, comprueben la condición del fusible de protección y la polaridad de conexión de la batería.

SUSTITUCIÓN DEL FUSIBLE DE PROTECCIÓN

Atención: Antes de sustituir el fusible de protección del instrumento, desconecten las clavijas de medición de cualquier circuito de medición.

- 1 Desconectar las clavijas del instrumento.
- 2 Abrir el espacio de los fusibles destornillando el tornillo de bloqueo.
- 3 Quitar el fusible quemado extrayéndolo delicadamente.
- 4 Instalar un nuevo fusible en el portafusible.
- 5 Utilizar únicamente un fusible de las mismas características del que se quemó 0.5 A/250V de tipo rápido para la gama de los 400mA, y 20 A/250 de tipo rápido para la gama de los 20 A.
- 6 Cerrar el espacio de los fusibles atornillando nuevamente el tornillo de bloqueo.

Atención: con el fin de evitar el peligro de shock eléctrico, no trabajen con el instrumento con la puertecilla de los fusibles abierta.

Declaración de conformidad CE

El producto 1760DGT es conforme a la directiva EMC 89/336CEE emanada por la Comisión de la Comunidad europea

MULTIMETER FÜR KFZ-TEST MOD. 1760DGT

SICHERHEITSHINWEISE

- Wenn Sie dieses Gerät verwenden, müssen Sie folgende Sicherheitsmassnahmen beachten, um in Sicherheit arbeiten zu können.
- Das Gerät nicht verwenden, wenn die Messendverschlüsse beschädigt sind oder wenn es sich vermutlich nicht mehr in einwandfreiem Zustand befindet.
- Während der Messphase den eigenen Körper nicht mit ungeerdeten Teilen in Verbindung setzen. Keine freistehende Teile, wie z.B. Verbinder, berühren. Sich mittels eines Isolierteppichs, Isolierschuhen, Isolierhandschuhen oder andere Materialien isolieren.
- Vor dem Loslöten, einen Teil des unter Untersuchung stehenden Kreises trennen oder unterbrechen, den Stromkreis vollkommen ausschalten.
- Wenn Sie mit höheren Spannungen als 60V DC oder 30 V AC RMS arbeiten, mit Sorgfalt vorgehen, da Gefahr eines elektrischen Schocks bestehen kann.
- Wenn Sie die Stifte verwenden, darauf achten, dass Sie den metallischen Teil derselben nicht berühren.
- Das Gerät nicht außerhalb der Messgrenzen verwenden, da Gefahr eines elektrischen Schocks bestehen könnte. Bevor Sie das Gerät verwenden, auf der Frontseite die Messgrenzen ablesen.
- Dem Gerät keine Spannungen oder Ströme anschließen, die höher als nachstehende Grenzen sind.

Eingangsgrenzen	
Funktion	maximaler Eingang
V DC o V AC	1000V DC, 700V AC
mA DC/AC	400mA DC/AC
A DC/AC	20 A DC/AC (max. 30 Sekunden während 15 Minuten)
Frequenz, Widerstand, Kapazität, Duty Cycle Anzeige, Diodentest, Durchgangstest, Temperatur, UpM, Dwell, Schwingungsweite	250V DC/AC

DE



SICHERHEITSSYMBOL

Dieses sich seitlich eines Endverschlusses befindliche Symbol, weist darauf hin, dass der Bediener das Handbuch für wichtige Informationen aufschlagen soll.

WARNING

Dieses Symbol weist auf eine mögliche Gefahr für den Bediener hin.

CAUTION

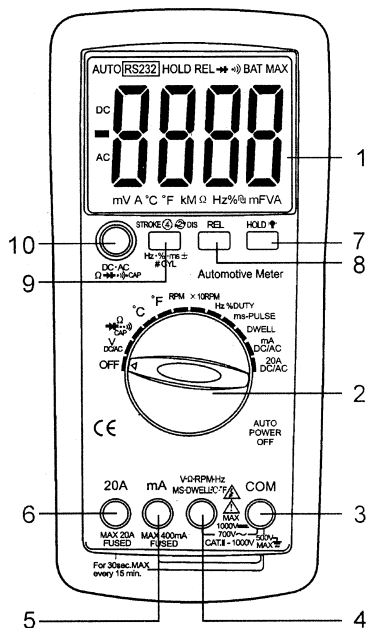
Dieses Symbol warnt den Bediener über eine mögliche Schadensgefahr des Gerätes hin, ohne jedoch den Bediener in Gefahr zu setzen.



Die mit diesem Symbol gekennzeichneten Endverschlüsse müssen nicht einem Kreis mit einer Spannung von über 500V AC oder V DC angeschlossen werden



Dieses sich seitlich eines Endverschlusses befindliche Symbol warnt den Bediener über die Anwesenheit einer gefährlichen Spannung.



KONTROLLE UND VERBINDER

- 1 LCD-Display mit 4000 Counts und Polungsanzeige.
- 2 Funktionswählschalter
- 3 Eingangsbuchse COM (negativ)
- 4 Eingangsbuchse positiv (+) für Spannungen DC/AC, Strom, HZ/% Duty Cycle, W, Dioden, Durchgang, Kapazität, Temperatur (°C oder °F), UpM-Messung, Dwell, Schwingungsweite.
- 5 Eingangsbuchse positiv für Strommessung DC/AC mA
- 6 Eingangsbuchse 20A für Strommessungen DC oder AC
- 7 Taste Data Hold und Beleuchtung von hinten.
- 8 Taste RPM (UpM), DWELL, Hz/%, mS +/-.
- 9 Taste Mode
- 10 Taste Mode

Symbole

	Durchgangsprobe
	Batterie erschöpft
	Diode
	Data Hold
	Automatischer Bereich
	Wechselstrom oder Wechselspannung
	Gleichstrom oder Gleichspannung

SPEZIFIKATIONEN

Das Gerät entspricht den Sicherheitsnormen:	IEC 1010-1 EN 61010-1
Isolierungsklasse:	2, doppelte Isolierung
Überspannungskategorie:	CAT II 1000V
Display:	4 digit Typ LCD mit Funktionsanzeige.
Polung:	automatisch und mit Anzeige der negativen Polung (-)
Außer Bereich:	auf dem Display erscheint die Anzeige "OL"
Anzeige Batterie erschöpft:	erscheint auf dem Display die Anzeige "BAT".
Messabgrenzung:	2 Mal je Sekunde, nominal.
Selbstausschaltung:	nach ca. 30 Minuten
Betriebstemperatur:	von 0°C bis 50°C mit Feuchte <70%.
Lagerungstemperatur:	von -20°C bis +60°C mit Feuchte <80%
Für inneren Gebrauch, maximale Betriebshöhe	2000m
Pollution degree:	2
Speisung:	eine Batterie 9V, NEDA 1604, IEC 6F22
Abmessungen:	195 (H) x 92 (L) x 38 (T)mm
Gewicht:	ca. 380g

RPM (TACH)			
Bereich		Auflösung	Genauigkeit
RPM4	600-4000RPM	1RPM	±2% der Ablesung ± 4dgt
	600-12000RPM (10Xrpm)		
	RPM2/DIS	10RPM	
RPM2/DIS	300-4000RPM	1RPM	
	300-6000RPM (10Xrpm)		
		10RPM	

Eingangsschutz: 250V DC oder 250V AC rms

Dewll angle			
Zylinder	Bereich	Auflösung	Genauigkeit
4 ZYL	0 - 90.0°	0.1°	±2% der Ablesung ± 4dgt
5 ZYL	0 - 72.0°		
6 ZYL	0 - 60.0°		
8 ZYL	0 - 45.0°		

Eingangsschutz: 250V DC oder 250V AC rms

DC Spannung (automatischer Bereich)		
Bereich	Auflösung	Genauigkeit
400.0 mV	0.1mV	± (0.5% der Ablesung ±2 digits)
4.000 V	1mV	
40.00 V	10mV	± (1.5% der Ablesung ±2 digits)
400.0 V	100mV	
1000 V	1V	± (1.8% der Ablesung ±2 digits)

Eingangsimpedanz: 10M Ω

max. Eingang: 1000V DC oder 760V AC rms

AC Spannung (automatischer Bereich)		
Bereich	Auflösung	Genauigkeit
4.000 V	1mV	± (1.0% der Ablesung ±3 digits)
40.00 V	10mV	± (1.5% der Ablesung ±3 digits)
400.0 V	100mV	
700 V	1V	± (2.0% der Ablesung ±4 digits)

Eingangsimpedanz: 10M Ω

Frequenzbereich: 50/60Hz

max. Eingang: 1000V DC oder 700V AC rms

DC Strom (automatischer Bereich)		
Bereich	Auflösung	Genauigkeit
40.00mA	10 μ A	± (1.5% der Ablesung ±3 digits)
400.0mA	100 μ A	
4 A	1mA	± (2.5% der Ablesung ±5 digits)
20 A	10mA	

Schutz gegen Überlast: 0.5 A/250V und 20 A/250V mit Sicherung.
max. Eingang: 400mA DC oder 400mA AC rms im Bereich mA, 20 A DC oder AC rms im Bereich der 20 A

AC Strom (automatischer Bereich)		
Bereich	Auflösung	Genauigkeit
40.00mA	10 μ A	± (1.8% der Ablesung ±5 digits)
400.0mA	100 μ A	
4 A	1mA	± (3.0% der Ablesung ±7 digits)
20 A	10mA	

Schutz gegen Überlast: 0.5 A/250V und 20 A/250V mit Sicherung.
Frequenzbereich: 50/60Hz.
max. Eingang: 400mA DC oder 400mA AC rms im Bereich mA, 20 A DC oder AC rms im Bereich der 20 A

Widerstand (automatischer Bereich)		
Bereich	Auflösung	Genauigkeit
400.0 Ω	0.1 Ω	\pm (1.2% della lettura ± 4 digits)
4.000 K Ω	1 Ω	\pm (1.0% der Ablesung ± 2 digits)
40.00 K Ω	10 Ω	\pm (1.2% der Ablesung ± 2 digits)
400.0 K Ω	100 Ω	
4.000 M Ω	1k Ω	
40.00 M Ω	10k Ω	\pm (2.0% der Ablesung ± 3 digits)

Eingangsschutz: 250V DC oder 250V AC rms

Kapazität (automatischer Bereich)		
Bereich	Auflösung	Genauigkeit
40.00 nF	10pF	\pm (5.0% der Ablesung ± 7 digits)
400.0 nF	0.1nF	\pm (3.0% der Ablesung ± 5 digits)
4.000 μ F	1nF	
40.00 μ F	10nF	
100.0 μ F	0.1 μ F	\pm (5.0% der Ablesung ± 5 digits)

Eingangsschutz: 250V DC oder 250V AC rms

Frequenz (automatischer Bereich)		
Bereich	Auflösung	Genauigkeit
5 Hz	0.001Hz	± (1.5% der Ablesung ±6 digits)
50 Hz	0.01Hz	
500 Hz	0.1Hz	± (1.2% der Ablesung ±3 digits)
5 kHz	1 Hz	
50 kHz	10 Hz	
500kHz	100Hz	
10 MHz	1KHz	± (1.5% der Ablesung ±4 digits)

Empfindlichkeit: $<0.5V\ RMS \leq 1MHz$

Empfindlichkeit: $>3V\ RMS < 1\ MHz$

Schutz gegen Überlast: 250V DC oder AC rms

Duty Cycle		
Bereich	Auflösung	Genauigkeit
0.1%-99.9%	0.1Hz	± (1.2% der Ablesung ±2 digits)

Schwingungsweite: $>100\mu s, <100ms$

Frequenzbereich: 5Hz-150Hz

Empfindlichkeit: $<0.5V\ RMS$

Schutz gegen Überlast: 250V DC oder AC rms

Schwingungsweite		
Bereich	Auflösung	Genauigkeit
1.0 - 10.0ms	0.1ms	± (3% der Ablesung ±10 digits)

Schutz gegen Überlast: 250V DC oder AC rms

Temperatur		
Bereich	Auflösung	Genauigkeit
-20°C bis +760°C	1°C	± (3% der Ablesung ±°C/8°F) Genauigkeit mit Bezug nur auf das Gerät, die Genauigkeit der Sonde ist nicht inbegriffen
-4°F bis +1400°F	1°F	

Temperatursonde: Thermoelement K

Diodentest		
Bereich	Auflösung	Genauigkeit
0.3mA typisch	1mV	± (10% der Ablesung ±5 digits)

Spannung bei offenem Kreis: 1,5V DC typisch

Schutz gegen Überlast: 250V DC o AC rms

Durchgangsprüfung

Signalschwelle: mit einem Widerstand niedriger als 150Ω, Probestrom <0.3mA

Schutz gegen Überlast: 250V DC o AC rms.

ARBEITSGANG

Achtung: gefahr eines elektroshocks. Während der Messphase auf die Kreisspannungen der Hochspannungen AC und DC achten.

1 Das Gerät immer ausschalten, wenn es nicht gebraucht wird. Das Gerät verfügt über die Funktion der Selbstausschaltung Auto OFF, somit schaltet das Gerät automatisch nach 30 Minuten Untätigkeit ab.

2 Falls während der Messphase auf dem Display die Anzeige "OL" dargestellt wird, einen höheren Messbereich wählen.

Hinweis: Einige sehr niedrige Spannungsbereiche in AC oder DC können dazu führen, dass Zufalls-
werte auf dem Display angezeigt werden, dies auch wenn die Stifte nicht angeschlossen sind.

Dies ist normal und wird durch die sehr hohe Eingangsempfindlichkeit des Gerätes verursacht. Wenn die Stifte an einem Messpunkt angeschlossen werden, gleicht sich die Ablesung automatisch ab.

Taste mode

Mit dieser Taste können Sie den Spannungsmessbereich DC/AC, den Strom DC/AC, den Widerstand, die Dioden, den Durchgang und die Kapazität wählen.

STROKE 4/2 (DIS) Hz, % ms CYL BUTTON

Um STROKE 4/2(DIS) Hz. % Bereich ms CYL wählen

Datensperrtaste/rückseitige Beleuchtung

Die Datensperrtaste ermöglicht dem Gerät einen Messwert zu blockieren um später darauf zurückzukommen.

1 Mit der DATA HOLD - Taste die auf Bild stehende Ablesung „blockieren“. Auf dem Bild erscheint jetzt „HOLD“.

- 2 DATA HOLD - Taste nochmals betätigen, um auf die normalen Funktion zurück zu gehen.
- 3 Wenn die BACKLIGHT-Taste 2 Sekunden betätigt wird, wird die rückseitige Beleuchtung des Bildschirms aktiviert.
- 4 BACKLIGHT - Taste nochmals 2 Sekunden betätigen und die rückseitige Beleuchtung schaltet sich aus.

Relativftaste

Die relative Messfunktion ermöglicht Messungen eines gespeicherten Bezugs-Wertes. In dem Gerät können Bezugswerte wie Volt, Strom usw. gespeichert werden, deren Messwerte mit den genannten Werten verglichen werden können.

- 1 Messung wie in der Betriebsanweisung beschrieben vornehmen.
- 2 An der Taste RELATIVE Wert, der am Bildschirm erscheint, speichern. Auf diesem erscheint REL.
- 3 Auf Bildschirm erscheint nun der Unterschied zwischen dem gespeicherten und dem vermessenen Wert.
- 4 Um zur normalen Funktion zurück zu gehen, Taste RELATIVE nochmals betätigen.

Spannungsmessung AC oder DC

- 1 Den schwarzen Stift in den Minus-Stecker COM des Gerätes und den roten Stift in die Plus-Buchse V einsetzen.
- 2 Wählschalter auf Position VDC/AC drehen
- 3 Die Taste MODE drücken, um die Spannung AC oder DC wählen
- 4 Mit den Stiften die Messpunkte berühren und den Messwert direkt auf dem Display ablesen.

Strommessung AC oder DC

Vorsicht: keine Messvorgänge für mehr als 30 Sekunden je 15 Minuten im Bereich der 20 A durchführen, da sonst das Gerät und die Messstifte sich beschädigen könnten.

- 1 Den schwarzen Stift in den Minus-Stecker COM des Gerätes und den roten Stift in die Plus-Buchse einsetzen:
 - a Positiv mA für die Strommessung bis zu 400mA.
 - b Positiv 20° für die Strommessung bis zu 20 A
- 2 Wählschalter auf Position mA oder A drehen.
- 3 Taste MODE drücken und Strom AC oder DC wählen.
- 4 Die Stifte mit dem unter Untersuchung stehenden Kreis anschließen und die gemessene Spannung direkt auf dem Display ablesen.

Messung Widerstand, Dioden, Durchgangsprüfung oder Kapazität

Achtung: Damit keine Gefahr eines Elektroschockes besteht, der unter Probe stehender Bestandteil vom Kreis trennen und die Kondensatoren entleeren.

- 1 Den schwarzen Stift in den Minus-Stecker COM des Gerätes und den roten Stift in die Plus-Buchse Ω , \rightarrow \rightarrow einsetzen.
- 2 Wählschalter auf Ω , \rightarrow \rightarrow Position, drehen.
- 3 Taste MODE drücken, um Ω oder \rightarrow , oder \rightarrow wählen.
- 4 Die Stifte an die zu überprüfenden Komponenten, Widerstand, Diode, Kondensator usw. anschließen.
- 5 Den Messwert auf dem LCD-Display des Gerätes ablesen.
- 6 Wenn eine Durchgangsprüfung durchgeführt wird, hört man eine akustische Anzeige, falls der unter Prüfung stehende Kreiswiderstand unterhalb 150 Ω liegt.
- 7 Wenn eine direkte Spannungsmessung einer Diode durchgeführt wird, erscheint auf dem Display die Anzeige 0,4V oder 0,7V falls die Diode umgekehrt ist, während mit der umgekehrten Spannungsmessung die Anzeige "OL" auf dem Display dargestellt wird (wie bei dem Zustand einer unterbrochenen Diode oder bei offenem Kreis). Falls die Diode unter Kurzschluss steht, erscheint die Anzeige OmV. Wenn

die Kapazitätsmessung eines Kondensators durchgeführt wird, müssen der Kondensator leer und der Kreis ausgeschaltet sein. In diesem Fall arbeitet das Gerät mit automatischer Bereichswahl.

Frequenzmessung oder Duty Cycle

- 1 Den schwarzen Stift in den Minus-Stecker COM des Gerätes und den roten Stift in die Plus-Buchse Hz einsetzen.
- 2 Wählschalter auf Position Hz o % drehen.
- 3 Taste Hz/% drücken, um Hz o % wählen.
- 4 Mit den Stiften die Messpunkte berühren und die gemessene Frequenz oder den Duty Cycle direkt auf dem Display ablesen.

Temperaturmessung

- 1 Die Temperatursonde mit Thermoelement K in den Stecker (COM) und + des Gerätes einsetzen.
- 2 Wählschalter auf Position °C oder °F drehen.
- 3 Temperaturwert auf dem Display ablesen.

Messung der Schwingungsweite

- 1 Den schwarzen Stift in den Minus-Stecker COM des Gerätes und den roten Stift in die Plus-Buchse einsetzen.
- 2 Wählschalter auf Position Pulse Width drehen.
- 3 Den schwarzen Stift mit der Erdung und den roten Stift mit dem Signalkabel, mit welchem der zu untersuchende Bestandteil verbunden ist, anschließen

Hinweis: die Anwendungszeit für die meisten Einspritzventilen ist auf der negativen Rampe angegeben (-).

Tachometrische Messung UPM

- 1 Mit dem Wählschalter den Bereich RPM (UPM) wählen.
- 2 Den Bereich X10 RPM mit dem Wählschalter wählen (von 1.000 bis 12.000 UPM). Um die UPM-Geschwindigkeit zu haben, den auf dem Display abgelesenen Wert mit dem Multiplikationsfaktor multiplizieren.
- 3 Taste STROKE 4/2 (DIS) drücken, um RPM 4 für Viertaktmotoren oder 2 für Zweitaktmotoren oder DIS wählen.
- 4 Induktivsonde mit den Endverschlüssen des Gerätes verbinden.
- 5 Entverschluss COM erden.
- 6 Das andere Ende mit dem Endverschluss RPM verbinden
- 7 Die Induktivsonde mit dem Verbindungskabel einer Zündkerze verbinden; falls kein Wert abgelesen werden kann, die Zange abtrennen und nochmals anschließen.

Hinweise:

- Induktivsonde so weit wie möglich vom Verteiler positionieren.
- Induktivsonde ca. 6 cm von der Zündkerze entfernt positionieren; falls kein Wert abgelesen werden kann, Sonde mit einem anderen Verbindungskabel der Zündkerzen verbinden.
- RPM4: zur Messung der UPM von Viertaktmotoren die eine Zündphase je 4 Motorenphasen aufweisen.
- RPM2: zur Messung der RPM von DIS-Motoren (ohne Verteilersystem) und Zweitaktmotoren, die eine Zündphase je 2 Motorenphasen aufweisen.

Messung Dwell Winkel

- 1 Den schwarzen Stift in den Enverschluss COM des Gerätes und den roten Stift in den positiven + Endverschluss einsetzen.
- 2 Wählschalter auf die entsprechende Position 4CYL, 5CYL, 6CYL, 8CYL im Bereich DWELL drehen.
- 3 Den roten Stift mit dem Unterbrechungspunkt des Zündverteilers oder mit dem negativen Endverschluss der Batterie verbinden.
- 4 Motor anlassen auf Bild erscheint die Drehzahl/Min.

BATTERIEAUSWECHSLUNG

Achtung: Bevor Sie die im Inneren des Gerätes befindliche Batterie austauschen, die Messstifte von jedem Messkreis abtrennen.

- 1 Wenn die Batterie des Gerätes erschöpft ist, erscheint rechts auf dem Display die Anzeige "BAT".
Nun die Batterie austauschen.

2 Die im vorliegenden Handbuch angegebenen Anweisungen beachten.

3 Die erschöpfte Batterie in den eigens dazu bestimmten Behältern entsorgen.

Achtung: Um die Gefahr eines Elektroschockes zu vermeiden, das Gerät nie ohne Deckel des Batteriegehäuses verwenden.

Batteriemontage

Achtung: Bevor Sie die im Inneren des Gerätes befindliche Batterie austauschen, die Messstifte von jedem Messkreis abtrennen.

- 1 Die Stifte vom Gerät abtrennen.
- 2 Schraube losschrauben, um das Batteriegehäuse zu öffnen.

3 Eine neue Batterie einsetzen und darauf achten, dass die Polung richtig ist..

4 Deckel des Batteriegehäuses zuschließen und Schraube anziehen.

Achtung: Um die Gefahr eines Elektroschockes zu vermeiden, das Gerät nie ohne Deckel des Batteriegehäuses verwenden.

Hinweis: Falls das Gerät nicht einwandfrei funktioniert, die Schutzsicherung und die Polung der Batterie prüfen.

AUSWECHSLUNG DER SCHUTZSICHERUNG

Achtung: Bevor Sie die Schutzsicherung des Gerätes austauschen, die Messstifte von den Messkreisen abtrennen.

1 Die Stifte vom Gerät abtrennen.

2 Schraube losschrauben, um das Sicherungsgehäuse zu öffnen.

3 Die durchgebrannte Sicherung sorgfältig herausnehmen.

4 Eine neue Sicherung einsetzen.

5 Nur Sicherungen mit denselben Eigenschaften der durchgebrannten Sicherung verwenden: 0.5

A/250V flinke Sicherung für Bereich 400mA und 20 A/250 flinke Sicherung für Bereich 20 A.

6 Gehäuse zuschließen und Schraube anziehen.

Konformitätszeugnis

Das Produkt 1760DGT entspricht der von der EU-Gemeinschaft erlassenen Richtlinie EMC 89/336/CEE.

Distributed by Distribuée par Distribuito da



Beta Utensili S.p.A.
Via Volta, 18
20050 Sovico (Mi) Italy
www.beta-tools.com



INFORMAZIONE AGLI UTENTI

Ai sensi dell'art. 13 del decreto legislativo 25 luglio 2005, n. 15 "Attuazione delle Direttive 2002/95/CE, 2002/96/CE e 2003/108/CE, relative alla riduzione dell'uso di sostanze pericolose nelle apparecchiature elettriche ed elettroniche, nonché allo smaltimento dei rifiuti" Il simbolo del cassonetto barrato riportato sull'apparecchiatura indica che il prodotto alla fine della propria vita utile deve essere raccolto separatamente dagli altri rifiuti.

L'utente dovrà, pertanto, conferire l'apparecchiatura giunta a fine vita agli idonei centri di raccolta differenziata dei rifiuti elettronici ed elettotecnici, oppure riconsegnarla al rivenditore al momento dell'acquisto di una nuova apparecchiatura di tipo equivalente, in ragione di uno a uno.

L'adeguata raccolta differenziata per l'avvio successivo dell'apparecchiatura dismessa al riciclaggio, al trattamento e allo smaltimento ambientalmente compatibile contribuisce ad evitare possibili effetti negativi sull'ambiente e sulla salute e favorisce il riciclo dei materiali di cui è composta l'apparecchiatura.

Lo smaltimento abusivo del prodotto da parte dell'utente comporta l'applicazione delle sanzioni amministrative di cui al dlgs. n. 22/1997" (articolo 50 e seguenti del dlgs. n. 22/1997).